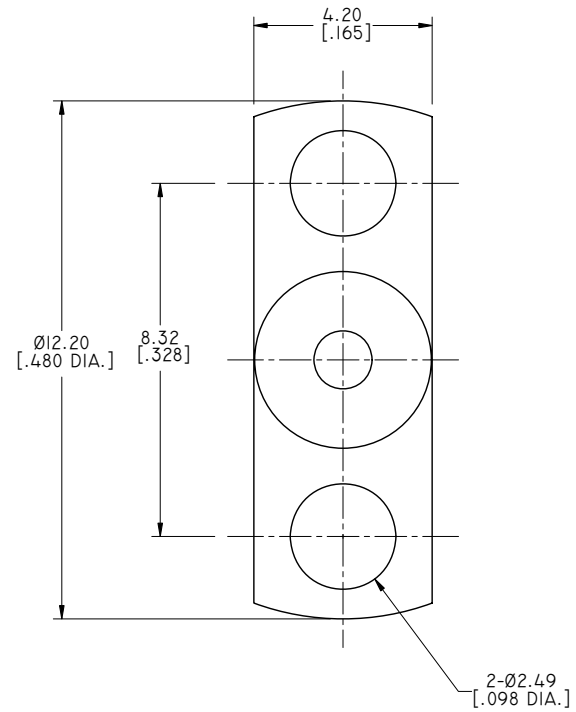
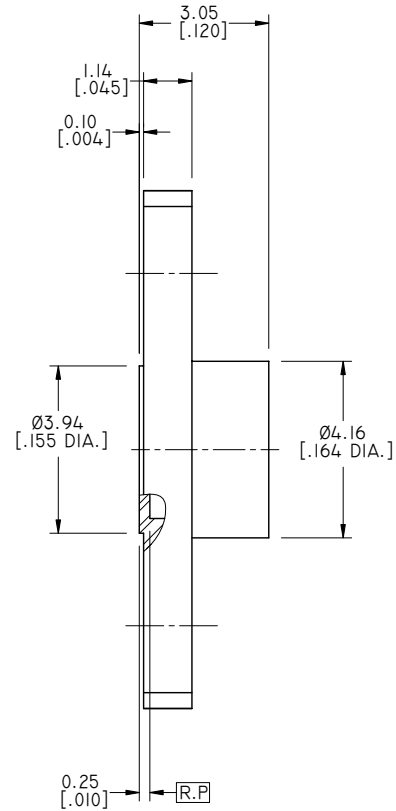


MATERIAL & FINISH:
BODY: STAINLESS STEEL, PASSIVATED

ENVIRONMENTAL DATA:
1. TEMPERATURE RANGE: -65°C~+165°C
2. 2011/65/EC (RoHS): COMPLIANT

REVISIONS			
REV.	DESCRIPTION	DATE	APPROVED
A	INITIAL RELEASE	03/03/17	J. QU

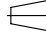



PART NO.	TYPE
ANO 931I-3066-1	FULL DETENT
ANO 931I-3066-2	LIMITED DETENT
ANO 931I-3066-3	SMOOTH BORE

DRAWN	P. CHEN	DATE	03/03/17
CHECKED	L. YANG	DATE	03/03/17
APPROVED	J. QU	DATE	03/03/17
UNLESS OTHERWISE SPECIFIED DIMENSIONS ARE IN MILLIMETERS, DIMENSIONS IN [] ARE IN INCHES FOR CUSTOMER REFERENCE ONLY UNLESS OTHERWISE SPECIFIED TOLERANCE ARE:		THESE DRAWINGS AND SPECIFICATIONS ARE THE PROPERTY OF ANOISON ELECTRONICS LTD AND SHOULD NOT BE USED WITHOUT WRITTEN PERMISSION COPYRIGHT © 2017 ANOISON ELECTRONICS LTD	
.XX	±0.13 [.005"]		
.X	±0.20 [.008"]		
X	±0.50 [.019"]		
.X°	±1°		
X°	±2°		



TITLE
SMP MALE 2-HOLE FLANGE MOUNT SHROUD NO CENTER

VIEW	PART NO. ANO 931I-3066			
 	SIZE A3	SCALE 8:1	SHEET 1/1	REV. A