

MATERIAL & FINISH:

- 1 BODY: STAINLESS STEEL, PASSIVATED
- 2 CENTER CONTACT: BERYLLIUM COPPER ALLOY, GOLD PLATED
- 3 INSULATOR: PTFE
- 4 GASKET: CONDUCTIVE ELASTOMER

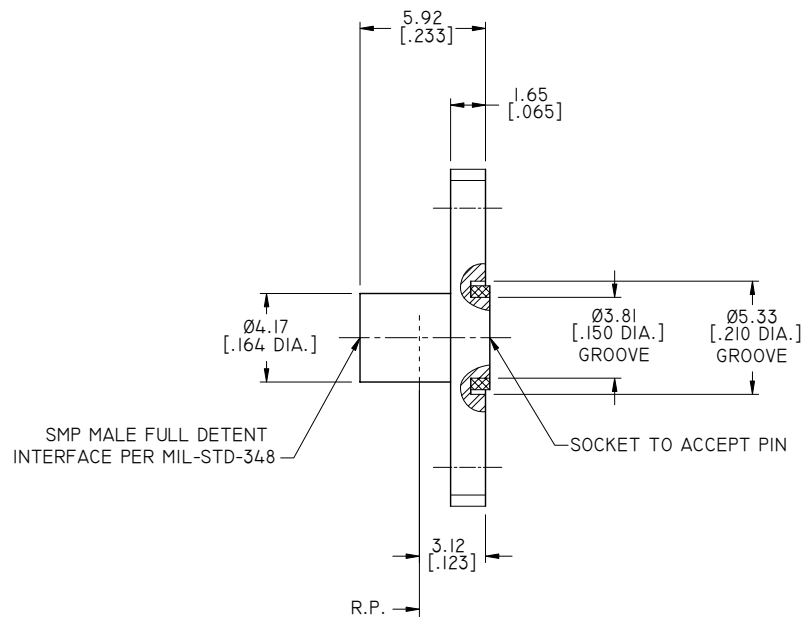
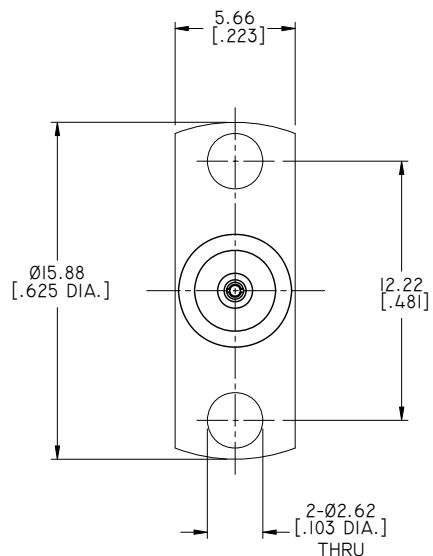
ELECTRICAL DATA:

- 1 IMPEDANCE: 50 Ω
- 2 FREQUENCY RANGE: DC~20 GHz
- 3 VSWR: 1.15 MAX.
- 4 INSERTION LOSS: 0.15 DB MAX.

ENVIRONMENTAL DATA:

- 1 TEMPERATURE RANGE: -55°C~+125°C
- 2 2011/65/EU (RoHS): COMPLIANT

REVISIONS			
REV.	DESCRIPTION	DATE	APPROVED
A	INITIAL RELEASE	12/22/15	J. QU
B	VSWR AND INSERTION LOSS ADDED	08/28/17	J. QU



PART NO.	ACCEPTS PIN DIA.	PIN DEPTH MAX.
ANO 9311-3053-1	0.23 [.009 DIA.]	1.65 [.065]
ANO 9311-3053-2	0.30 [.012 DIA.]	1.91 [.075]
ANO 9311-3053-3	0.38 [.015 DIA.]	2.54 [.100]
ANO 9311-3053-4	0.46 [.018 DIA.]	2.54 [.100]
ANO 9311-3053-5	0.51 [.020 DIA.]	2.54 [.100]

DRAWN	X. B. YANG	DATE	08/28/17
CHECKED	L. YANG	DATE	08/28/17
APPROVED	J. QU	DATE	08/28/17
UNLESS OTHERWISE SPECIFIED DIMENSIONS ARE IN MILLIMETERS. DIMENSIONS IN [] ARE IN INCHES FOR CUSTOMER REFERENCE ONLY UNLESS OTHERWISE SPECIFIED TOLERANCE ARE:		THESE DRAWINGS AND SPECIFICATIONS ARE THE PROPERTY OF ANOISON ELECTRONICS LTD AND SHOULD NOT BE USED WITHOUT WRITTEN PERMISSION COPYRIGHT © 2017 ANOISON ELECTRONICS LTD	
.XX	±0.13 [.005"]		
.X	±0.20 [.008"]		
X	±0.50 [.019"]		
.X°	±1°		
X°	±2°		



TITLE
SMP MALE FULL DETENT, 2 HOLE FLANGE MOUNT
FIELD REPLACEABLE WITH EMI GASKET

VIEW	PART NO. ANO 9311-3053			
	SIZE A3	SCALE 4:1	SHEET 1/1	REV. B