

4 3 2 1

MATERIAL & FINISH:

- 1 BODY: STAINLESS STEEL, PASSIVATED
- 2 CENTER CONTACT: BERYLLIUM COPPER ALLOY, GOLD PLATED
- 3 SOLDER FERRULE: BERYLLIUM COPPER ALLOY, GOLD PLATED
- 4 INSULATOR: PTFE

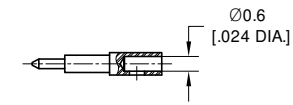
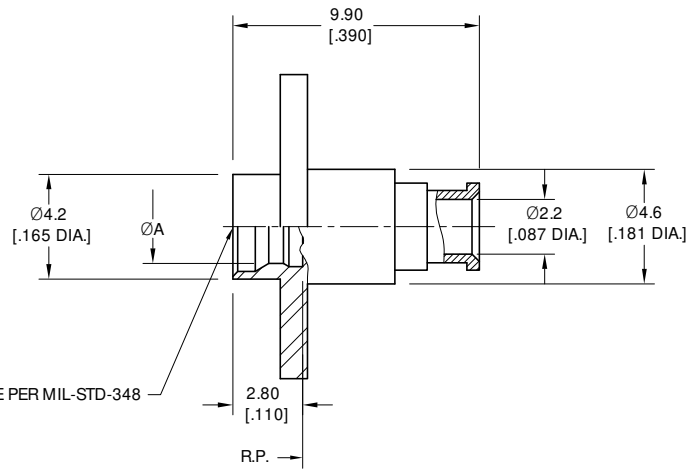
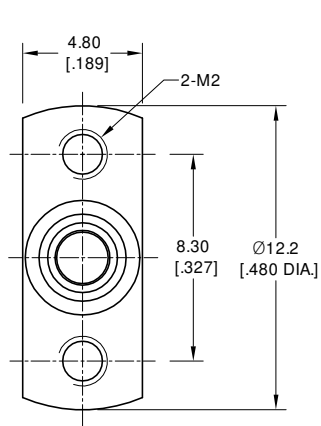
ELECTRICAL DATA:

- 1 IMPEDANCE: 50 Ω
- 2 FREQUENCY RANGE: DC~40 GHz
- 3 VSWR: 1.25 MAX. AT DC~18 GHz

ENVIRONMENTAL DATA:

- 1 TEMPERATURE RANGE: -55 °C ~ +165 °C
- 2 2011/65/EU (RoHS) AND 2015/863/(RoHS): COMPLIANT
- 3 1999/45/EC (REACH): COMPLIANT

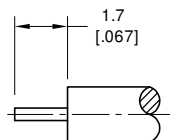
REVISIONS			
REV.	DESCRIPTION	DATE	APPROVED
A	INITIAL RELEASE	04/13/23	J Q



SMP MALE INTERFACE PER MIL-STD-348

R.P.

PART NO.	TYPE	ØA
ANO 9311-2154-1	FULL DETENT	(Ø2.95 [.116 DIA.])
ANO 9311-2154-2	LIMITED DETENT	(Ø3.05 [.120 DIA.])
ANO 9311-2154-3	SMOOTH BORE	(Ø3.18 [.125 DIA.])



CABLE STRIPPING DIMENSIONS

DRAWN	P. C	DATE	04/13/23
CHECKED	X. Y	DATE	04/13/23
APPROVED	J Q	DATE	04/13/23
UNLESS OTHERWISE SPECIFIED DIMENSIONS ARE IN MILLIMETERS, DIMENSIONS IN [] ARE IN INCHES FOR CUSTOMER REFERENCE ONLY UNLESS OTHERWISE SPECIFIED TOLERANCE ARE:		THESE DRAWINGS AND SPECIFICATIONS ARE THE PROPERTY OF ANOISON ELECTRONICS LTD AND SHOULD NOT BE USED WITHOUT WRITTEN PERMISSION COPYRIGHT © 2023 ANOISON ELECTRONICS LTD	
XX	±0.13 [.005"]		
X	±0.20 [.008"]		
X	±0.50 [.019"]		
X"	±1°		
X"	±2°		

TITLE
SMP STRAIGHT 2 HOLE FLANGE MOUNT MALE SOLDER FOR .086 CABLE

VIEW

PART NO. ANO 9311-2154			
SIZE A3	SCALE 5:1	SHEET 1/1	REV. A

4 3 2 1