

MATERIAL & FINISH:

- 1 HOUSING AND SHROUD: STAINLESS STEEL, PASSIVATED
- 2 WASHER: STAINLESS STEEL, PASSIVATED
- 3 CENTER CONTACT: BERYLLIUM COPPER ALLOY, GOLD PLATED
- 4 LOCK RING HOUSING: BERYLLIUM COPPER ALLOY, GOLD PLATED
- 5 CABLE ADAPTER: BERYLLIUM COPPER ALLOY, GOLD PLATED
- 6 INSULATOR: PTFE
- 7 SPRING: STAINLESS STEEL, PASSIVATED

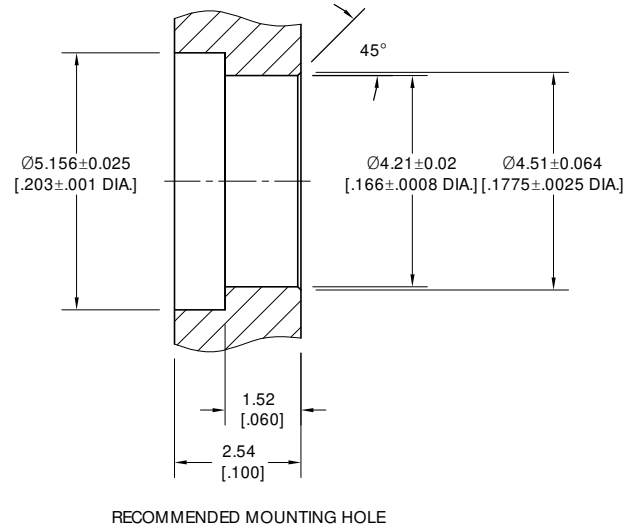
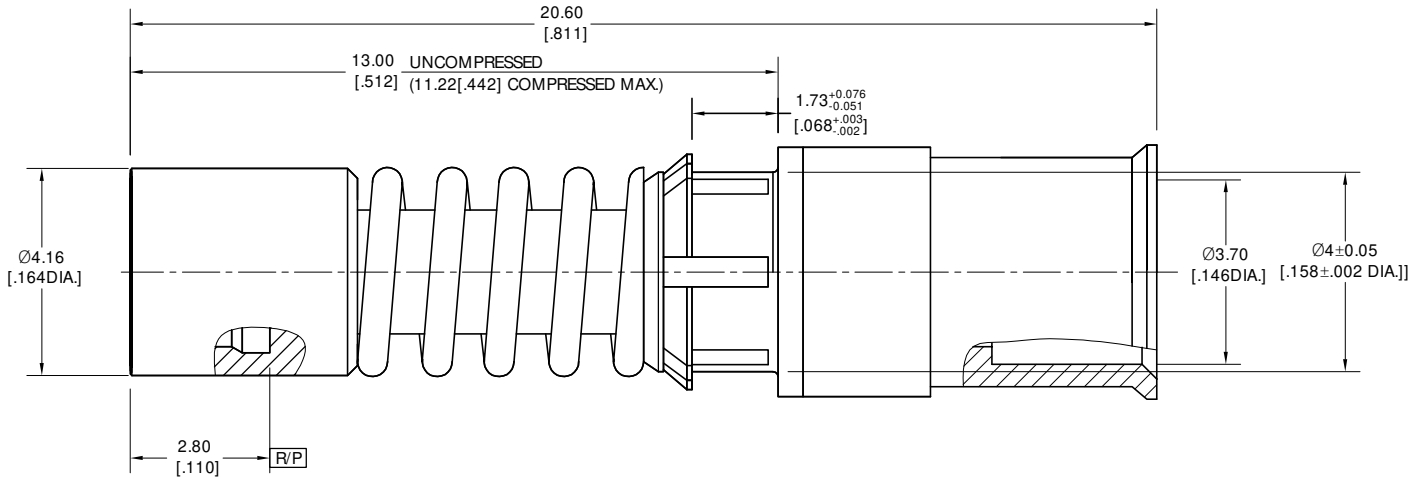
ELECTRICAL DATA:

- 1 IMPEDANCE: 50 Ω
- 2 FREQUENCY RANGE: DC~26.5 GHz
- 3 VSWR: 1.40 MAX.
- 4 INSERTION LOSS: $0.06 \cdot \sqrt{F(\text{GHz})}$

ENVIRONMENTAL DATA:

- 1 TEMPERATURE RANGE: -55 °C~+165 °C
- 2 2011/65/EU (RoHS) AND 2015/863/(RoHS): COMPLIANT
- 3 1999/45/EC (REACH): COMPLIANT

REVISIONS			
REV.	DESCRIPTION	DATE	APPROVED
A	INITIAL RELEASE	09/13/22	J Q
B	ADDED INSERTION LOSS	09/15/23	J Q



NOTES:

A SMP bullet (female to female) adapter pre-fixed on the Full Detent SMP male interface before using.

DRAWN	P. C	DATE	09/15/23
CHECKED	X. Y	DATE	09/15/23
APPROVED	J Q	DATE	09/15/23
UNLESS OTHERWISE SPECIFIED DIMENSIONS ARE IN MILLIMETERS, DIMENSIONS IN [] ARE IN INCHES FOR CUSTOMER REFERENCE ONLY UNLESS OTHERWISE SPECIFIED TOLERANCE ARE:		THESE DRAWINGS AND SPECIFICATIONS ARE THE PROPERTY OF ANOISON ELECTRONICS LTD AND SHOULD NOT BE USED WITHOUT WRITTEN PERMISSION COPYRIGHT © 2023 ANOISON ELECTRONICS LTD	
XX	±0.13 [.005"]		
X	±0.20 [.008"]		
X	±0.50 [.019"]		
X"	±1°		
X"	±2°		

TITLE
SMP MALE FULL DETENT SNAP-IN FLOATMOUNT FOR .141 CABLE

PART NO.
ANO 9311-2131

VIEW		SCALE	10:1	SHEET	1/1	REV.	B
SIZE	A3						