

4

3

2

1

MATERIAL & FINISH:

- 1 BODY: STAINLESS STEEL, PASSIVATED
- 2 CENTER CONTACT: BERYLLIUM COPPER ALLOY, GOLD PLATED
- 3 CABLE ADAPTOR: BRASS, GOLD PLATED
- 4 INSULATOR: PTFE
- 5 DIELECTRIC STOP: PTFE

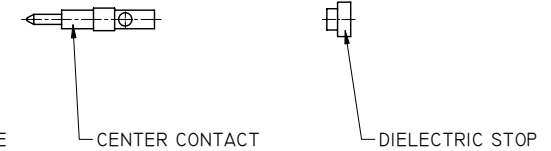
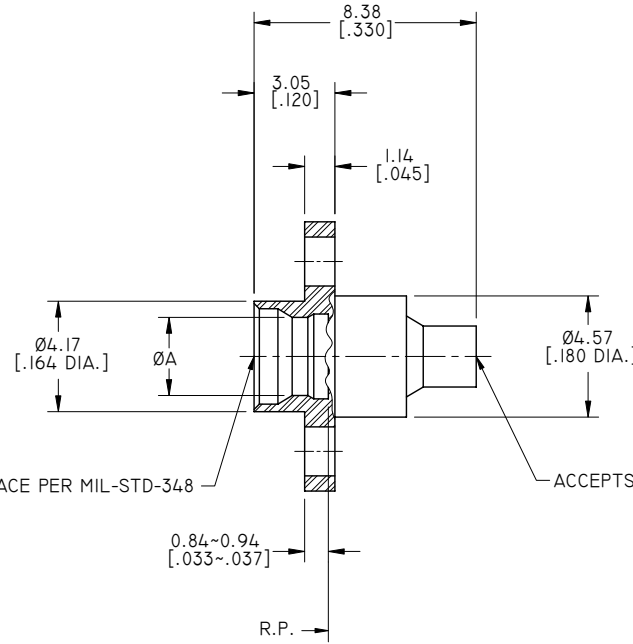
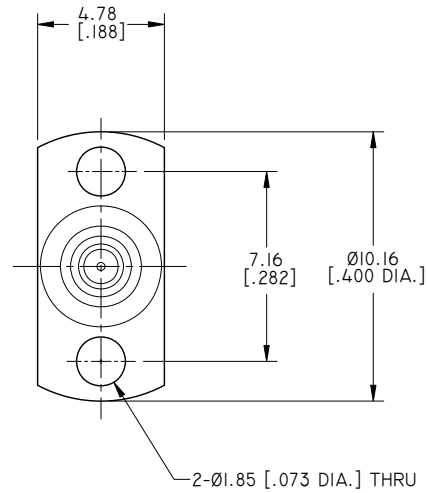
ELECTRICAL DATA:

- 1 IMPEDANCE: 50 Ω
- 2 FREQUENCY RANGE: DC~18 GHZ

ENVIRONMENTAL DATA:

- 1 TEMPERATURE RANGE: -40°C~+125°C
- 2 2011/65/EU (RoHS): COMPLIANT

REVISIONS			
REV.	DESCRIPTION	DATE	APPROVED
A	INITIAL RELEASE	10/26/15	J. QU



SMP MALE INTERFACE PER MIL-STD-348

ACCEPTS .047 S/R CABLE

CENTER CONTACT

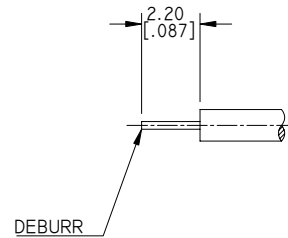
DIELECTRIC STOP

2-Ø1.85 [.073 DIA.] THRU

0.84~0.94  
[.033~.037]

R.P.

PART NO.	TYPE	ØA
ANO 9311-2050-1	FULL DETENT	(Ø2.95 [.116 DIA.])
ANO 9311-2050-2	LIMITED DETENT	(Ø3.05 [.120 DIA.])
ANO 9311-2050-3	SMOOTH BORE	(Ø3.18 [.125 DIA.])



DEBURR

DRAWN	X. B. YANG	DATE	10/26/15
CHECKED	L. YANG	DATE	10/26/15
APPROVED	J. QU	DATE	10/26/15
UNLESS OTHERWISE SPECIFIED DIMENSIONS ARE IN MILLIMETERS. DIMENSIONS IN [ ] ARE IN INCHES FOR CUSTOMER REFERENCE ONLY UNLESS OTHERWISE SPECIFIED TOLERANCE ARE:		THESE DRAWINGS AND SPECIFICATIONS ARE THE PROPERTY OF ANOISON ELECTRONICS LTD AND SHOULD NOT BE USED WITHOUT WRITTEN PERMISSION COPYRIGHT © 2015 ANOISON ELECTRONICS LTD	
.XX	±0.13 [.005"]		
.X	±0.20 [.008"]		
X	±0.50 [.019"]		
.X°	±1°		
X°	±2°		



TITLE			
SMP MALE, 2 HOLE FLANGE MOUNT FOR .047 S/R CABLE			
VIEW		PART NO.	
		ANO 9311-2050	
SIZE	SCALE	SHEET	REV.
A3	5:1	1/1	A

4

3

2

1