

4 3 2 1

**MATERIAL & FINISH:**

- 1 BODY: STAINLESS STEEL, PASSIVATED
- 2 CENTER CONTACT: PHOSPHOR BRONZE, GOLD PLATED
- 3 INSULATOR: PTFE
- 4 FRONT NUT: STAINLESS STEEL, PASSIVATED
- 5 FERRULE: BRASS, GOLD PLATED

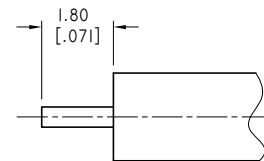
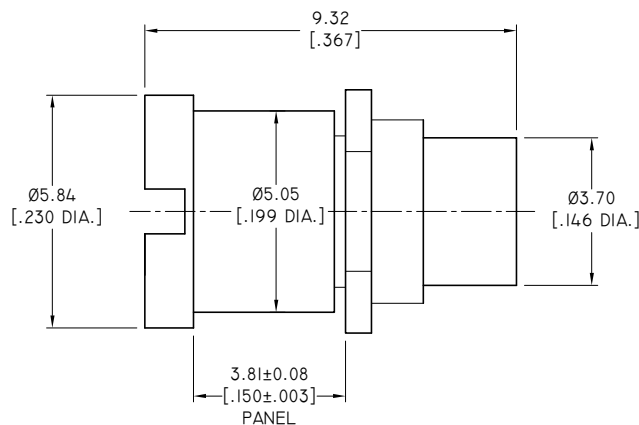
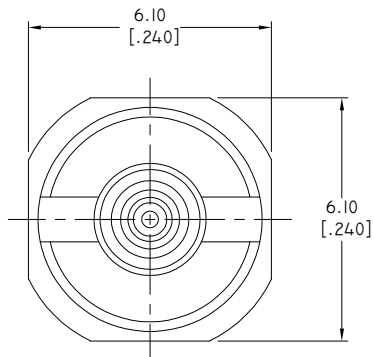
**ENVIRONMENTAL DATA:**

- 1 TEMPERATURE RANGE: -65°C~+165°C
- 2 2011/65/EU (RoHS): COMPLIANT

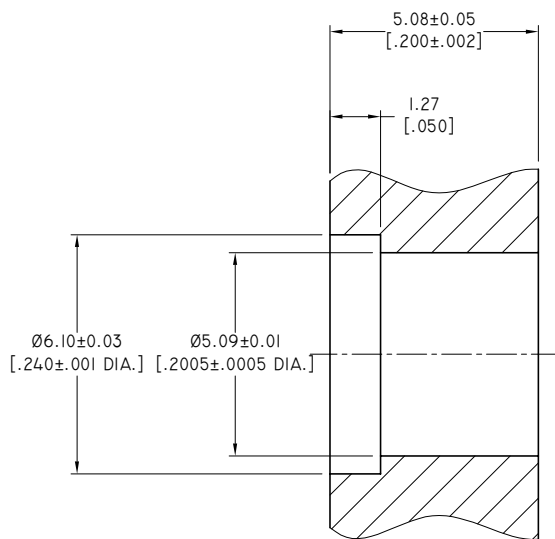
**ELECTRICAL DATA:**

- 1 IMPEDANCE: 50 Ω
- 2 FREQUENCY RANGE: DC~26.5 GHz
- 3 VSWR: 1.07 MAX. AT DC~4 GHz  
1.22 MAX. AT 4~12 GHz  
1.29 MAX. AT 12~26.5 GHz
- 4 INSERTION LOSS: 0.05X √FGHZ DB MAX. AT DC~26.5 GHz

REVISIONS			
REV.	DESCRIPTION	DATE	APPROVED
A	INITIAL RELEASE	04/29/19	J. QU



CABLE STRIPPING DIMENSIONS



RECOMMENDED MOUNTING HOLE

PART NO.	TYPE
ANO 9311-1106	FULL DETENT
ANO 9311-1106-1	LIMITED DETENT
ANO 9311-1106-2	SMOOTH BORE

DRAWN	X. B. YANG	DATE	04/29/19
CHECKED	W. YANG	DATE	04/29/19
APPROVED	J. QU	DATE	04/29/19

UNLESS OTHERWISE SPECIFIED DIMENSIONS ARE IN MILLIMETERS, DIMENSIONS IN [ ] ARE IN INCHES FOR CUSTOMER REFERENCE ONLY UNLESS OTHERWISE SPECIFIED TOLERANCE ARE:

.XX	±0.13 [.005"]
.X	±0.20 [.008"]
X	±0.50 [.019"]
.X°	±1°
X°	±2°

THESE DRAWINGS AND SPECIFICATIONS ARE THE PROPERTY OF ANOISON ELECTRONICS LTD AND SHOULD NOT BE USED WITHOUT WRITTEN PERMISSION COPYRIGHT © 2019 ANOISON ELECTRONICS LTD



TITLE	SMP MALE BULKHEAD MOUNT FOR .086 CABLE			
VIEW				
PART NO.	ANO 9311-1106			
SIZE	A3	SCALE	8:1	SHEET 1/1
REV.	A			

4 3 2 1