

MATERIAL & FINISH:

- 1 BODY: STAINLESS STEEL, PASSIVATED
- 2 CENTER CONTACT: BERYLLIUM COPPER ALLOY, GOLD PLATED
- 3 OUTER CONTACT: BERYLLIUM COPPER ALLOY, GOLD PLATED
- 4 SPRING LATCH: BRASS, GOLD PLATED
- 5 INSULATOR: PTFE

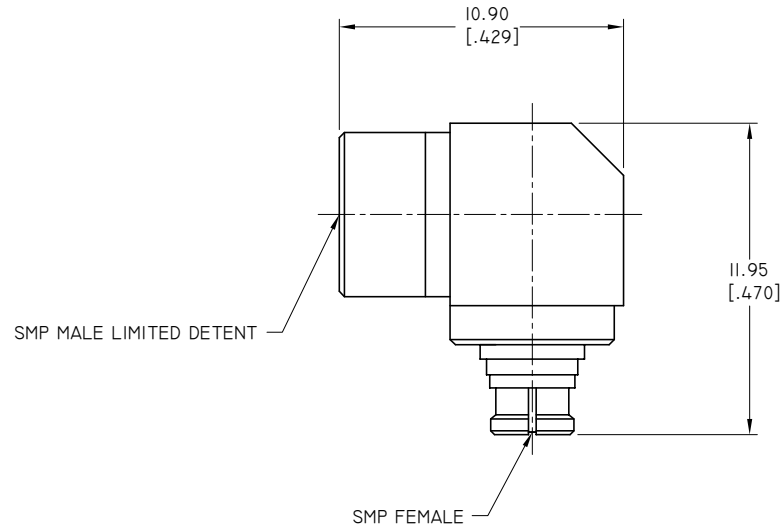
ELECTRICAL SPECIFICATIONS:

- 1 IMPEDANCE: 50 Ω
- 2 FREQUENCY RANGE: DC~26.5GHZ

ENVIRONMENTAL DATA:

- 1 TEMPERATURE RANGE: -55 °C~+165 °C
- 2 2011/65/EU(RoHS) AND 2015/863/(RoHS): COMPLIANT
- 3 1907/2006/EC(REACH): COMPLIANT

REVISIONS			
REV.	DESCRIPTION	DATE	APPROVED
A	INITIAL RELEASE	01/06/17	J. QU



DRAWN	X. B. YANG	DATE	01/06/17	
CHECKED	P. CHEN	DATE	01/06/17	
APPROVED	J. QU	DATE	01/06/17	
<small>UNLESS OTHERWISE SPECIFIED DIMENSIONS ARE IN MILLIMETERS, DIMENSIONS IN [] ARE IN INCHES FOR CUSTOMER REFERENCE ONLY UNLESS OTHERWISE SPECIFIED TOLERANCE ARE:</small>		<small>THESE DRAWINGS AND SPECIFICATIONS ARE THE PROPERTY OF ANOISON ELECTRONICS LTD AND SHOULD NOT BE USED WITHOUT WRITTEN PERMISSION COPYRIGHT © 2017 ANOISON ELECTRONICS LTD</small>		TITLE
				ADAPTER, RIGHT ANGLE SMP MALE LIMITED DETENT TO FEMALE
<small>.XX ±0.13 [.005"] .X ±0.20 [.008"] X ±0.50 [.019"] .X° ±1° X° ±2°</small>				PART NO.
				ANO 931-932-2389
		SIZE	SCALE	SHEET
		A3	5:1	1/1
		REV.	A	