

4

3

2

1

MATERIAL & FINISH:

- 1 BODY1: STAINLESS STEEL, PASSIVATED
- 2 BODY1: BERYLLIUM COPPER, GOLD PLATED
- 3 CENTER CONTACT: BERYLLIUM COPPER, GOLD PLATED
- 4 INSULATOR: PTFE

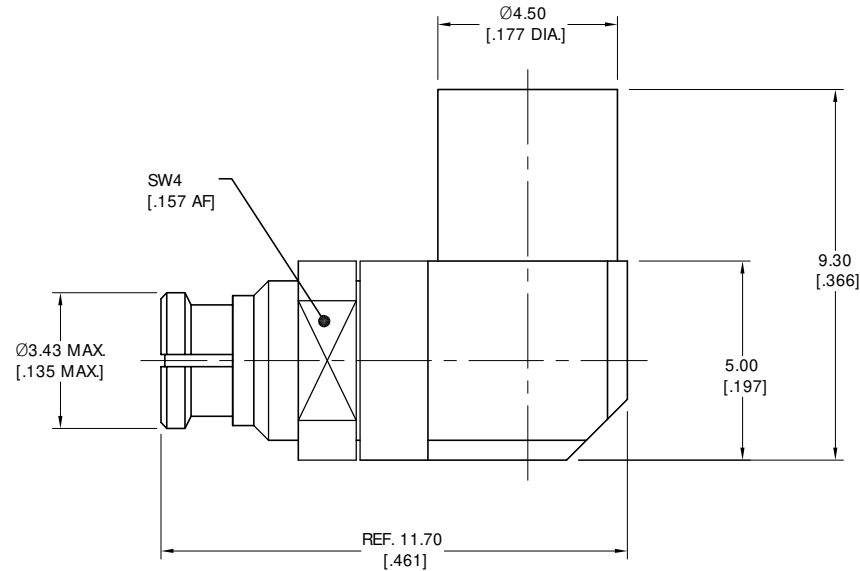
ELECTRICAL DATA:

- 1 IMPEDANCE: 50 Ω
- 2 FREQUENCY RANGE: DC~40 GHz
- 3 VSWR: 1.35 MAX.

ENVIRONMENTAL DATA:

- 1 TEMPERATURE RANGE: -55°C~+125°C
- 2 2011/65/EU(RoHS) AND 2015/863/(RoHS): COMPLIANT
- 3 1907/2006/EC(REACH): COMPLIANT

| REVISIONS | | | |
|-----------|-----------------|----------|----------|
| REV. | DESCRIPTION | DATE | APPROVED |
| A | INITIAL RELEASE | 02/01/21 | J QU |
| | | | |



D

C

B

A

D

C

B

A

| | | | |
|---|---------------|--|----------|
| DRAWN | W. YANG | DATE | 02/01/21 |
| CHECKED | X. B. YANG | DATE | 02/01/21 |
| APPROVED | J QU | DATE | 02/01/21 |
| UNLESS OTHERWISE SPECIFIED DIMENSIONS ARE IN MILLIMETERS, DIMENSIONS IN [] ARE IN INCHES FOR CUSTOMER REFERENCE ONLY UNLESS OTHERWISE SPECIFIED TOLERANCE ARE: | | THESE DRAWINGS AND SPECIFICATIONS ARE THE PROPERTY OF ANOISON ELECTRONICS LTD AND SHOULD NOT BE USED WITHOUT WRITTEN PERMISSION COPYRIGHT © 2021 ANOISON ELECTRONICS LTD | |
| .XX | ±0.13 [.005"] | | |
| .X | ±0.20 [.008"] | | |
| X | ±0.50 [.019"] | | |
| .X° | ±1° | | |
| X° | ±2° | | |



| | | | |
|---|------------------|-------|------|
| TITLE | | | |
| ADAPTER, RIGHT ANGLE SMP MALE(FD) TO SMP FEMALE | | | |
| VIEW | PART NO. | | |
| | ANO 931-932-1559 | | |
| SIZE | SCALE | SHEET | REV. |
| A3 | 8:1 | 1/1 | A |

4

3

2

1