

4 3 2 1

**MATERIAL & FINISH:**

- 1 BODY: STAINLESS STEEL, PASSIVATED
- 2 CENTER CONTACT: BERYLLIUM COPPER ALLOY, GOLD PLATED
- 3 LOCK WASHER: STAINLESS STEEL, PASSIVATED
- 4 LOCK NUT: STAINLESS STEEL, PASSIVATED
- 5 INSULATOR: PEI

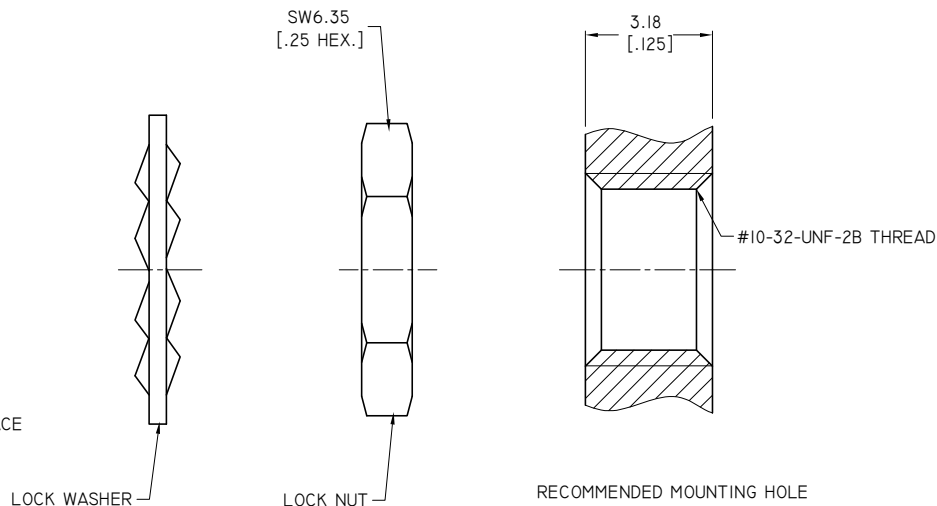
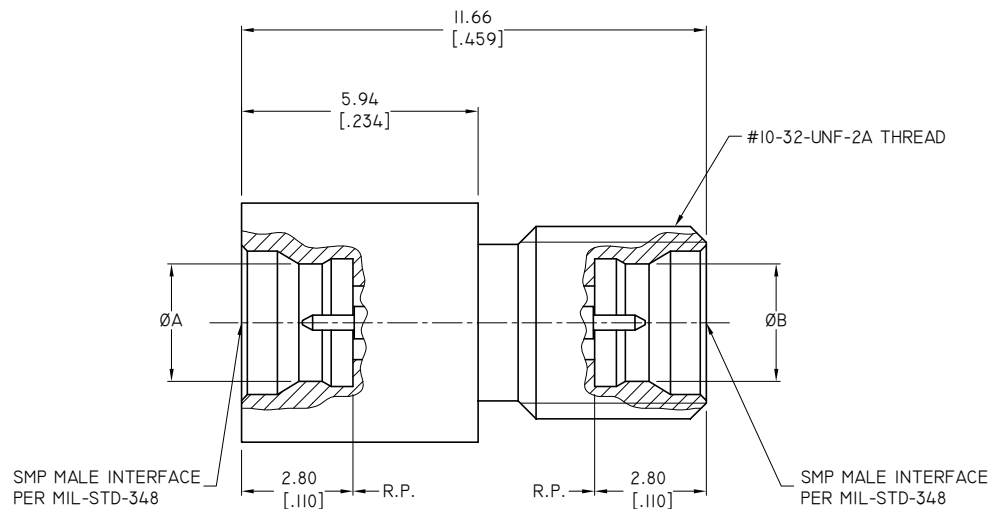
**ELECTRICAL DATA:**

- 1 IMPEDANCE: 50 Ω
- 2 FREQUENCY RANGE: DC~40 GHz

REVISIONS			
REV.	DESCRIPTION	DATE	APPROVED
A	INITIAL RELEASE	09/19/16	J. QU

**ENVIRONMENTAL DATA:**

- 1 TEMPERATURE RANGE: -55°C~+155°C
- 2 2011/65/EU (RoHS): COMPLIANT



NOETS:  
FASTENING NUT, LOCK WASHER AND O-RING INDIVIDUALLY PACKED

ANO PART NO.		ØA		ØB
ANO 931-931-1589-1	FULL DETENT	Ø2.95 [.116 DIA.]	FULL DETENT	Ø2.95 [.116 DIA.]
ANO 931-931-1382-2	LIMITED DETENT	Ø3.05 [.120 DIA.]	LIMITED DETENT	Ø3.05 [.120 DIA.]
ANO 931-931-1382-3	SMOOTH BORE	Ø3.18 [.125 DIA.]	SMOOTH BORE	Ø3.18 [.125 DIA.]
ANO 931-931-1382-4	FULL DETENT	Ø2.95 [.116 DIA.]	LIMITED DETENT	Ø3.05 [.120 DIA.]
ANO 931-931-1382-5	LIMITED DETENT	Ø3.05 [.120 DIA.]	FULL DETENT	Ø2.95 [.116 DIA.]

DRAWN	X. B. YANG	DATE	09/19/16
CHECKED	L. YANG	DATE	09/19/16
APPROVED	J. QU	DATE	09/19/16
UNLESS OTHERWISE SPECIFIED DIMENSIONS ARE IN MILLIMETERS, DIMENSIONS IN [ ] ARE IN INCHES FOR CUSTOMER REFERENCE ONLY UNLESS OTHERWISE SPECIFIED TOLERANCE ARE:		THESE DRAWINGS AND SPECIFICATIONS ARE THE PROPERTY OF ANOISON ELECTRONICS LTD AND SHOULD NOT BE USED WITHOUT WRITTEN PERMISSION COPYRIGHT © 2016 ANOISON ELECTRONICS LTD	
.XX	±0.13 [.005"]		
.X	±0.20 [.008"]		
X	±0.50 [.019"]		
.X°	±1°		
X°	±2°		

**TITLE**  
ADAPTER, SMP STRAIGHT MALE BULKHEAD TO SMP MALE

**PART NO.**  
ANO 931-931-1589

<b>VIEW</b>		<b>SIZE</b>	<b>SCALE</b>	<b>SHEET</b>	<b>REV.</b>
		A3	8:1	1/1	A

D  
C  
B  
A

D  
C  
B  
A

4 3 2 1