

4

3

2

1

## MATERIAL &amp; FINISH:

- 1 BODY: STAINLESS STEEL,PASSIVATED
- 2 CENTER CONTACT: BERYLLIUM COPPER ALLOY, GOLD PLATED
- 3 INSULATOR: PTFE, PEI

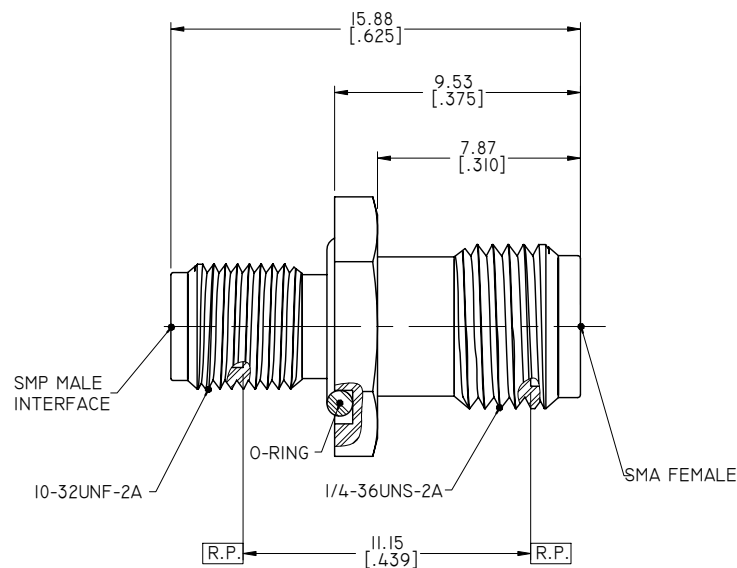
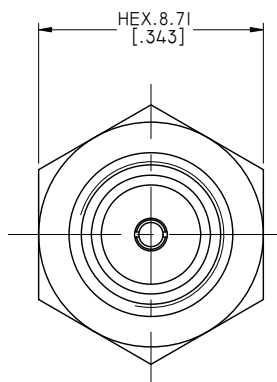
## ELECTRICAL DATA:

- 1 IMPEDANCE: 50 OHMS
- 2 FREQUENCY RANGE: DC~18 GHZ
- 3 VSWR: 1.20 MAX.

REVISIONS			
REV.	DESCRIPTION	DATE	APPROVED
A	INITIAL RELEASE	06/27/19	J. QU

## ENVIRONMENTAL DATA:

- 1 TEMPERATURE RANGE: -65°C~+165°C
- 2 2011/65/EU(RoHS) AND 2015/863/(RoHS): COMPLIANT
- 3 1999/45/EC(REACH): COMPLIANT



PART NUMBER	SMP MALE INTERFACE
ANO 931-212-1504-1	FULL DETENT
ANO 931-212-1504-2	LIMITED DETENT
ANO 931-212-1504-3	SMOOTH BORE

DRAWN	P. CHEN	DATE	06/27/19
CHECKED	L. YANG	DATE	06/27/19
APPROVED	J. QU	DATE	06/27/19

UNLESS OTHERWISE SPECIFIED DIMENSIONS ARE IN MILLIMETERS, DIMENSIONS IN [ ] ARE IN INCHES FOR CUSTOMER REFERENCE ONLY UNLESS OTHERWISE SPECIFIED TOLERANCE ARE:

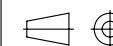
.XX	±0.13 [.005"]
.X	±0.20 [.008"]
X	±0.50 [.019"]
.X°	±1°
X°	±2°

THESE DRAWINGS AND SPECIFICATIONS ARE THE PROPERTY OF ANOISON ELECTRONICS LTD AND SHOULD NOT BE USED WITHOUT WRITTEN PERMISSION COPYRIGHT © 2019 ANOISON ELECTRONICS LTD



TITLE  
ADAPTER, SMP WATERPROOF BULKHEAD MALE TO SMA FEMALE

VIEW



PART NO.

ANO 931-212-1504

SIZE	SCALE	SHEET	REV.
A3	5:1	1/1	A

4

3

2

1