

1.0 MATERIAL & FINISH:

- 1.1 CENTER CONTACT: BERYLLIUM COPPER ALLOY, GOLD PLATED
- 1.2 INSULATOR: PTFE & PEI
- 1.3 SMP BODY: STAINLESS STEEL, PASSIVATED
SMA BODY: BRASS, NICKEL PLATED

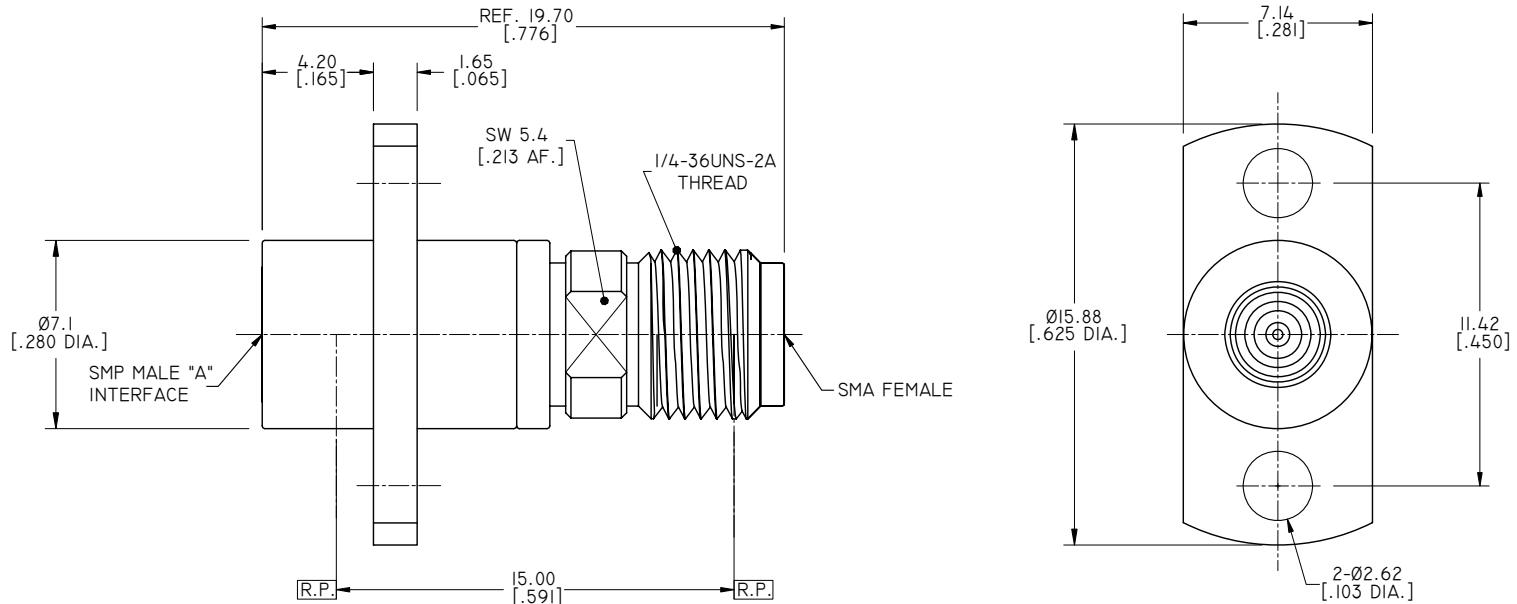
2.0 ENVIRONMENTAL DATA:

- 2.1 TEMPERATURE RANGE: -55°C~+85°C
- 2.2 2011/65/EU (RoHS): COMPLIANT

3.0 ELECTRICAL SPECIFICATIONS:

- 3.1 IMPEDANCE: 50 Ω
- 3.2 FREQUENCY RANGE: DC~26.5GHZ
- 3.3 VSWR: 1.20 MAX. DC~18GHZ
1.30 MAX. 18~26.5GHZ
- 3.4 WORKING VOLTAGE: 480 V RMS

REVISIONS			
REV.	DESCRIPTION	DATE	APPROVED
A	INITIAL RELEASE	11/11/16	J. QU



P/N	"A" INTERFACE
ANO 931-212-1386-1	FULL DETENT
ANO 931-212-1386-2	LIMITED DETENT
ANO 931-212-1386-3	SMOOTH BORE

DRAWN	P. CHEN	DATE	11/11/16
CHECKED	X. B. YANG	DATE	11/11/16
APPROVED	J. QU	DATE	11/11/16
UNLESS OTHERWISE SPECIFIED DIMENSIONS ARE IN MILLIMETERS. DIMENSIONS IN [] ARE IN INCHES FOR CUSTOMER REFERENCE ONLY UNLESS OTHERWISE SPECIFIED TOLERANCE ARE:		THESE DRAWINGS AND SPECIFICATIONS ARE THE PROPERTY OF ANOISON ELECTRONICS LTD AND SHOULD NOT BE USED WITHOUT WRITTEN PERMISSION COPYRIGHT © 2016 ANOISON ELECTRONICS LTD	
.XX	±0.13 [.005"]		
.X	±0.20 [.008"]		
X	±0.50 [.019"]		
.X°	±1°		
X°	±2°		

TITLE
ADAPTER, SMP MALE 2 HOLE FLANGE MOUNT TO SMA FEMALE

PART NO.
ANO 931-212-1386

VIEW		SIZE	A3	SCALE	5:1	SHEET	1/1	REV.	A
-------------	--	-------------	----	--------------	-----	--------------	-----	-------------	---