

1.0 MATERIAL & FINISH

- 1.1 BODY: BERYLLIUM COPPER ALLOY, GOLD PLATED
- 1.2 CENTER CONTACT: BERYLLIUM COPPER ALLOY, GOLD PLATED
- 1.3 INSULATOR: PTFE
- 1.4 CAP: BRASS, GOLD PLATED

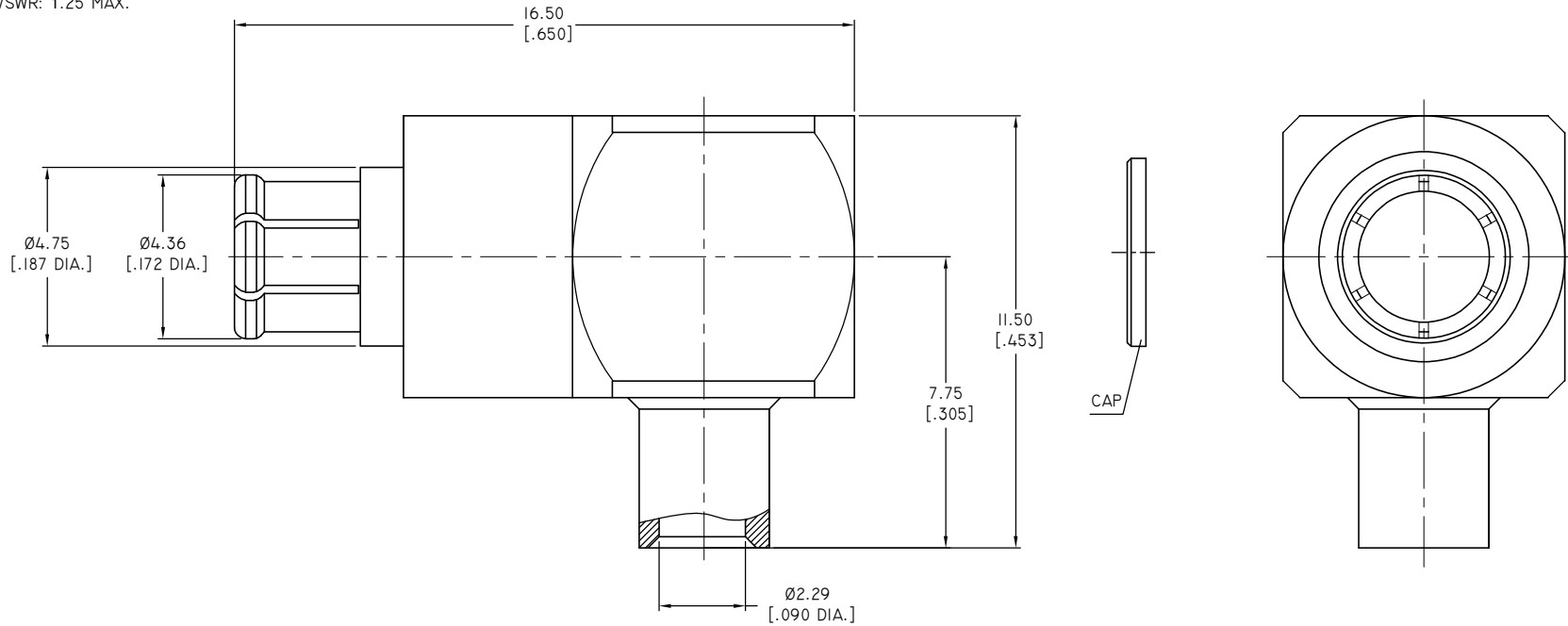
2.0 ENVIRONMENTAL DATA:

- 2.1 TEMPERATURE RANGE: -55°C~+165°C
- 2.2 2011/65/EU(RoHS) AND 2015/863/(RoHS): COMPLIANT
- 2.3 1999/45/EC(REACH): COMPLIANT

3.0 ELECTRICAL DATA:

- 3.1 IMPEDANCE: 50 Ω
- 3.2 FREQUENCY RANGE: DC~2.4GHZ
- 3.3 VSWR: 1.25 MAX.

REVISIONS			
REV.	DESCRIPTION	DATE	APPROVED
A	INITIAL RELEASE	11/29/21	J. QU



DRAWN	P. CHEN	DATE	11/29/21
CHECKED	X. B. YANG	DATE	11/29/21
APPROVED	J. QU	DATE	11/29/21
UNLESS OTHERWISE SPECIFIED DIMENSIONS ARE IN MILLIMETERS, DIMENSIONS IN [] ARE IN INCHES FOR CUSTOMER REFERENCE ONLY UNLESS OTHERWISE SPECIFIED TOLERANCE ARE:		THESE DRAWINGS AND SPECIFICATIONS ARE THE PROPERTY OF ANOISON ELECTRONICS LTD AND SHOULD NOT BE USED WITHOUT WRITTEN PERMISSION COPYRIGHT © 2021 ANOISON ELECTRONICS LTD	
.XX	±0.13 [.005"]		
.X	±0.20 [.008"]		
X	±0.50 [.019"]		
.X°	±1°		
X°	±2°		



TITLE			
P-SMP RIGHT ANGLE FEMALE SOLDER FOR .086 CABLE			
VIEW	PART NO.		
	ANO 9222-2003		
SIZE	SCALE	SHEET	REV.
A3	8:1	1/1	A