

4

3

2

1

1.0 MATERIAL & FINISH

1.1 BODY: BERYLLIUM COPPER ALLOY, GOLD PLATED

1.2 SPRING: STAINLESS STEEL, PASSIVATED

1.3 CENTER CONTACT: BERYLLIUM COPPER ALLOY, GOLD PLATED

1.4 INSULATOR: PTFE

2.0 ENVIRONMENTAL DATA:

2.1 TEMPERATURE RANGE: -55°C~+125°C

2.2 2011/65/EU(RoHS) AND 2015/863/(RoHS): COMPLIANT

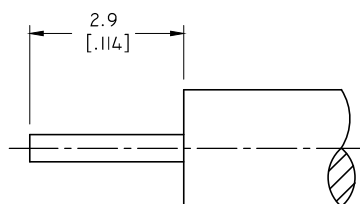
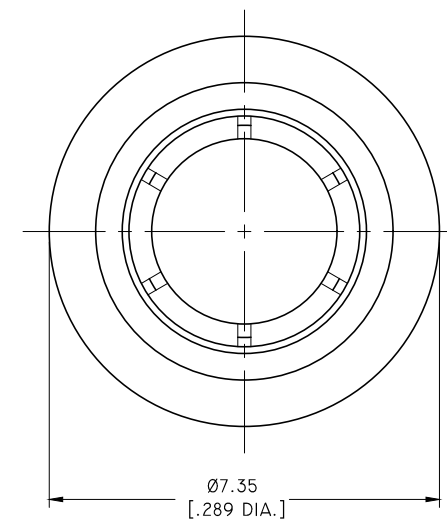
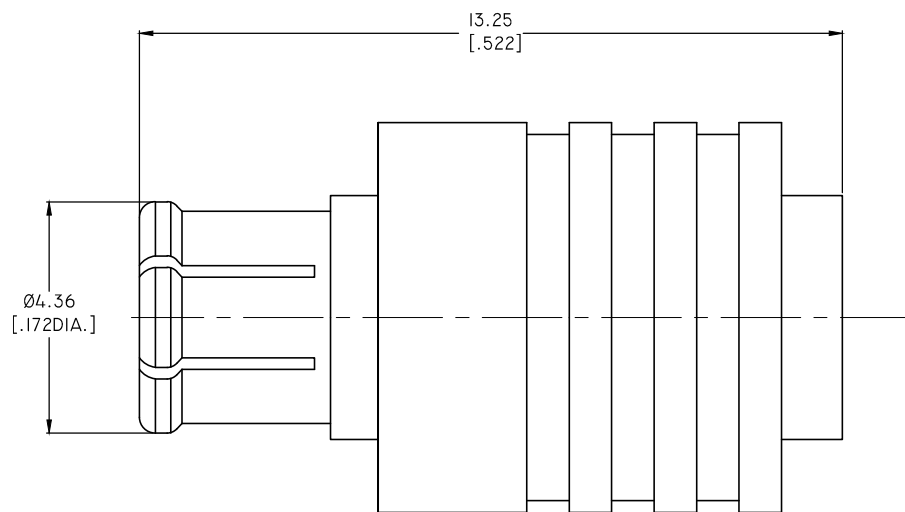
1999/45/EC(REACH): COMPLIANT

3.0 ELECTRICAL DATA:

3.1 IMPEDANCE: 50 Ω

3.2 FREQUENCY RANGE: DC~10GHZ

REVISIONS			
REV.	DESCRIPTION	DATE	APPROVED
A	INITIAL RELEASE	09/26/18	J. QU



CABLE STRIPPING DIMENSIONS

DRAWN	W. YANG	DATE	09/26/18
CHECKED	X. B. YANG	DATE	09/26/18
APPROVED	J. QU	DATE	09/26/18
UNLESS OTHERWISE SPECIFIED DIMENSIONS ARE IN MILLIMETERS, DIMENSIONS IN [] ARE IN INCHES FOR CUSTOMER REFERENCE ONLY UNLESS OTHERWISE SPECIFIED TOLERANCE ARE:		THESE DRAWINGS AND SPECIFICATIONS ARE THE PROPERTY OF ANOISON ELECTRONICS LTD AND SHOULD NOT BE USED WITHOUT WRITTEN PERMISSION COPYRIGHT © 2018 ANOISON ELECTRONICS LTD	
.XX	+0.13 [.005"]		
.X	+0.20 [.008"]		
X	+0.50 [.019"]		
.X°	±1°		
X°	+2°		



TITLE
P-SMP STRAIGHT FEMALE SOLDER FOR .086 CABLE

VIEW	PART NO.	ANO 9212-2002
SIZE	A3	SCALE 10:1
SHEET	1/1	REV. A