

REVISIONS

REV.	DESCRIPTION	DATE	APPROVED
A	INITIAL RELEASE	06/16/15	J. QU

**1.0 MATERIAL & FINISH**

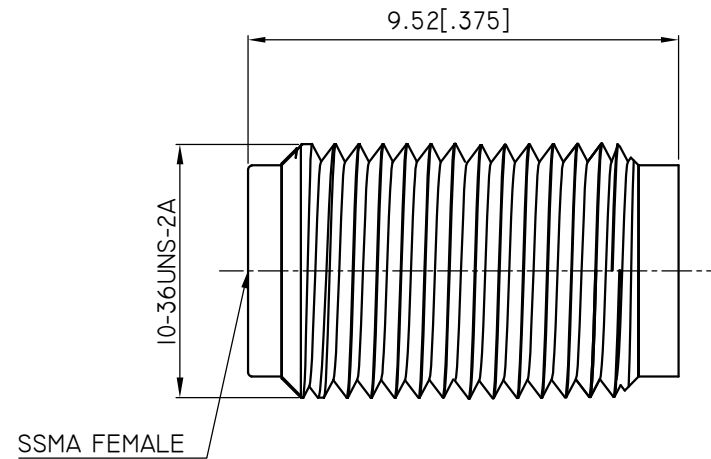
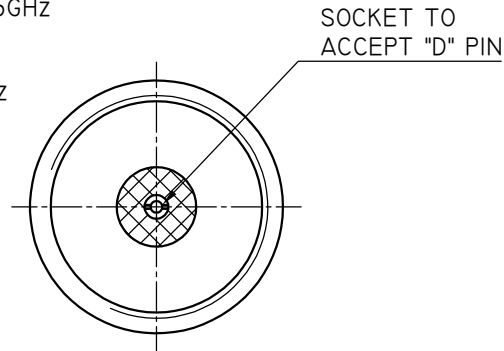
- 1.1 BODY: STAINLESS STEEL, PASSIVATED
- 1.2 CENTER CONTACT: BERYLLIUM COPPER ALLOY, GOLD PLATED
- 1.3 INSULATOR: PTFE & PEI

**2.0 ENVIRONMENTAL DATA:**

- 2.1 TEMPERATURE RANGE: -65°C~+165°C
- 2.2 2011/65/EU (RoHS): COMPLIANT

**3.0 ELECTRICAL SPECIFICATIONS:**

- 3.1 IMPEDANCE: 50 Ω
- 3.2 FREQUENCY RANGE: DC~36GHZ
- 3.3 VSWR: 1.10 MAX. DC~18GHZ  
1.15 MAX. 18~27GHZ  
1.25 MAX. 27~36GHZ



PART NO.	D	MAX. PIN DEPTH
ANO 9112-3032-1	Ø0.23 [.009 DIA.]	1.65 [.065]
ANO 9112-3032-2	Ø0.30 [.012 DIA.]	1.91 [.075]
ANO 9112-3032-3	Ø0.38 [.015 DIA.]	2.54 [.100]
ANO 9112-3032-4	Ø0.46 [.018 DIA.]	2.54 [.100]
ANO 9112-3032-5	Ø0.51 [.020 DIA.]	2.54 [.100]

DRAWN L. YANG	DATE 06/16/15				
CHECKED X. B. YANG	DATE 06/16/15				
APPROVED J. QU	DATE 06/16/15				
UNLESS OTHERWISE SPECIFIED DIMENSIONS ARE IN MILLIMETERS, DIMENSIONS IN [ ] ARE IN INCHES FOR CUSTOMER REFERENCE ONLY UNLESS OTHERWISE SPECIFIED TOLERANCE ARE: .XX ±0.13 [.005"] .X ±0.20 [.008"] X ±0.50 [.019"] .X° ±1° X° ±2°		THESE DRAWINGS AND SPECIFICATIONS ARE THE PROPERTY OF ANOISON ELECTRONICS LTD AND SHOULD NOT BE USED WITHOUT WRITTEN PERMISSION COPYRIGHT © 2015 ANOISON ELECTRONICS LTD		TITLE SSMA JACK THREAD-IN TO ACCEPT "D" PIN	
VIEW 		PART NO. ANO 9112-3032			
SIZE A3	SCALE 5:1	SHEET 1/1	REV. A		