

4

3

2

1

REVISIONS			
REV.	DESCRIPTION	DATE	APPROVED
A	INITIAL RELEASE	10/27/22	J. QU

**1.0 MATERIAL & FINISH**

- 1.1 BODY: STAINLESS STEEL, GOLD PLATED
- 1.2 CENTER CONTACT: BERYLLIUM COPPER ALLOY, GOLD PLATED
- 1.3 INSULATOR: PEI

**3.0 ELECTRICAL DATA:**

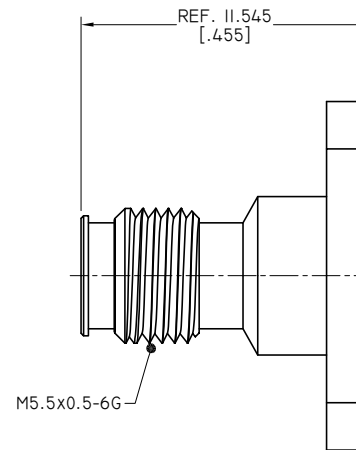
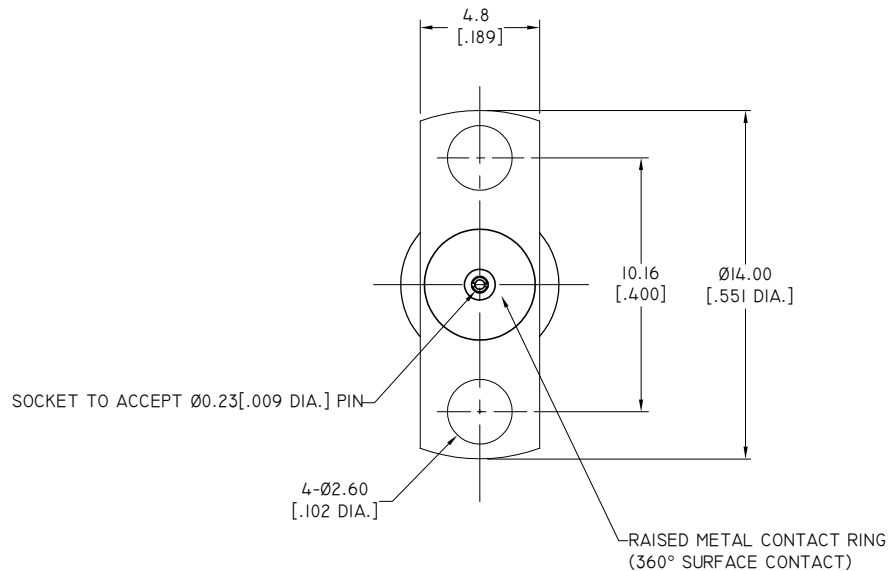
- 3.1 IMPEDANCE: 50 OHMS
- 3.2 FREQUENCY RANGE: DC-90GHZ

**2.0 ENVIRONMENTAL DATA:**

- 2.1 TEMPERATURE RANGE: -55°C~+165°C
- 2.2 2011/65/EU (RoHS): COMPLIANT

**4.0 MECHANICAL DATA:**

- 4.1 MECHANICAL DURABILITY: 500 CYCLES MIN.



DRAWN	W. Y	DATE	10/27/22
CHECKED	X. Y	DATE	10/27/22
APPROVED	J. Q	DATE	10/27/22
UNLESS OTHERWISE SPECIFIED DIMENSIONS ARE IN MILLIMETERS, DIMENSIONS IN [ ] ARE IN INCHES FOR CUSTOMER REFERENCE ONLY UNLESS OTHERWISE SPECIFIED TOLERANCE ARE:		THESE DRAWINGS AND SPECIFICATIONS ARE THE PROPERTY OF ANOISON ELECTRONICS LTD AND SHOULD NOT BE USED WITHOUT WRITTEN PERMISSION COPYRIGHT © 2022 ANOISON ELECTRONICS LTD	
.XX	±0.13 [.005"]		
.X	±0.20 [.008"]		
X	±0.50 [.019"]		
.X°	±1°		
X°	±2°		

**ANOISON**

TITLE: 1.35MM STRAIGHT FEMALE 2 HOLE FLANGE .400 LONG FLANGE (.009 PIN)

PART NO. ANO 8012-2006

VIEW	SCALE	SHEET	REV.
	5:1	1/1	A

SIZE A3

4

3

2

1