

4

3

2

1

1.0 MATERIAL & FINISH

- 1.1 BODY: STAINLESS STEEL, PASSIVATED
- 1.2 CENTER CONTACT: BERYLLIUM COPPER ALLOY, GOLD PLATED
- 1.3 COUPLING NUT: STAINLESS STEEL, PASSIVATED
- 1.4 SOLDER FERRULE: BRASS, GOLD PLATED
- 1.5 INSULATOR: PEI

2.0 ENVIRONMENTAL DATA:

- 2.1 TEMPERATURE RANGE: -55°C~+165°C
- 2.2 2011/65/EU (RoHS): COMPLIANT

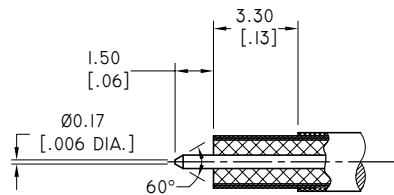
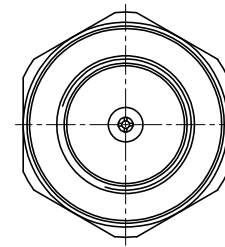
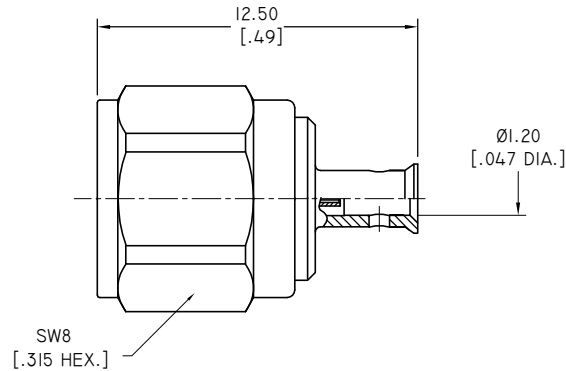
3.0 ELECTRICAL DATA:

- 3.1 IMPEDANCE: 50 OHMS
- 3.2 FREQUENCY RANGE: DC~90GHZ

4.0 MECHANICAL DATA:

- 4.1 MECHANICAL DURABILITY: 500 CYCLES MIN.
- 4.2 CENTER CONTACT: CAPTIVATED
- 4.3 OUTER CONTACT: SOLDERED

REVISIONS			
REV.	DESCRIPTION	DATE	APPROVED
A	INITIAL RELEASE	03/24/20	J. QU



CABLE STRIPPING DIMENSIONS

DRAWN	W. YANG	DATE	03/24/20
CHECKED	X. B. YANG	DATE	03/24/20
APPROVED	J. QU	DATE	03/24/20
UNLESS OTHERWISE SPECIFIED DIMENSIONS ARE IN MILLIMETERS, DIMENSIONS IN [] ARE IN INCHES FOR CUSTOMER REFERENCE ONLY UNLESS OTHERWISE SPECIFIED TOLERANCE ARE:		THESE DRAWINGS AND SPECIFICATIONS ARE THE PROPERTY OF ANOISON ELECTRONICS LTD AND SHOULD NOT BE USED WITHOUT WRITTEN PERMISSION COPYRIGHT © 2018 ANOISON ELECTRONICS LTD	
.XX	±0.13 [.005"]		
.X	±0.20 [.008"]		
X	±0.50 [.019"]		
.X°	±1°		
X°	±2°		



TITLE
1.35MM STRAIGHT MALE SOLDER FOR .047 CABLE

VIEW	PART NO. ANO 8011-2001		
	SIZE A3	SCALE 5:1	SHEET 1/1
			REV. A

4

3

2

1