

4 3 2 1

MATERIAL & FINISH:

- 1 BODY: BERYLLIUM COPPER ALLOY, GOLD PLATED
- 2 CENTER CONTACT: BERYLLIUM COPPER ALLOY, GOLD PLATED
- 3 RETAINING RING: BERYLLIUM COPPER ALLOY, NICKEL PLATED
- 4 INSULATOR: PTFE
- 5 COMPRESSION SPRING: STAINLESS STEEL, PASSIVATED
- 6 SLEEVE: STAINLESS STEEL, PASSIVATED
- 7 WASHER: STAINLESS STEEL, PASSIVATED
- 8 FERRULE: BRASS, GOLD PLATED

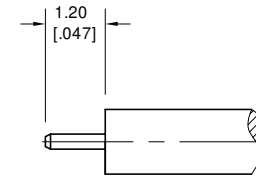
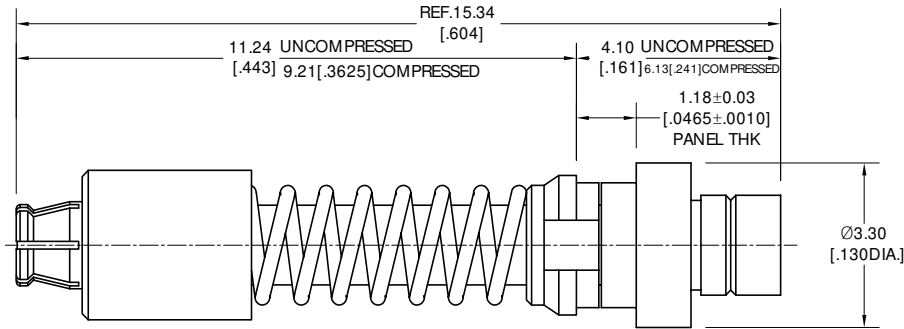
ELECTRICAL DATA:

- 1 IMPEDANCE: 50 Ω
- 2 FREQUENCY RANGE: DC~40 GHz

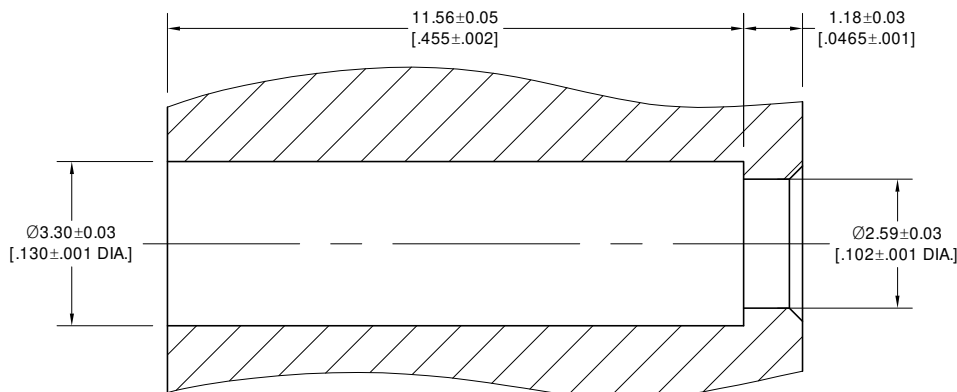
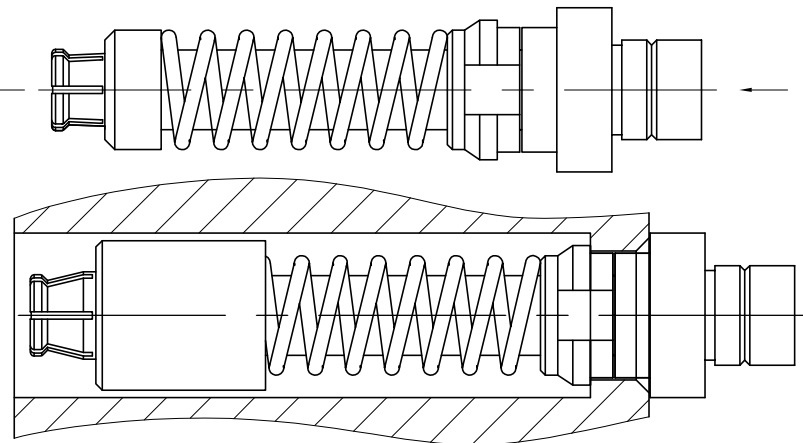
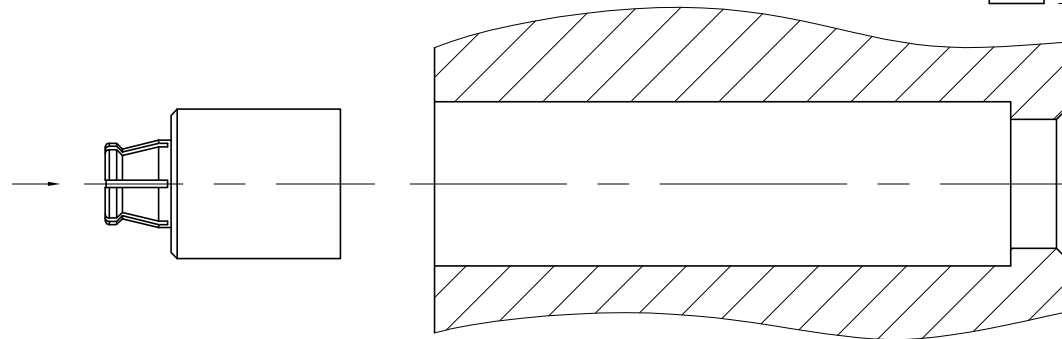
ENVIRONMENTAL DATA:

- 1 TEMPERATURE RANGE: -55°C~+165°C
- 2 2011/65/EU(RoHS) AND 2015/863/(RoHS): COMPLIANT
- 3 1999/45/EC(REACH): COMPLIANT

| REVISIONS | | | |
|-----------|-----------------|----------|----------|
| REV. | DESCRIPTION | DATE | APPROVED |
| A | INITIAL RELEASE | 05/15/25 | J Q |



CABLE STRIPPING DIMENSIONS



RECOMMENDED MOUNTING HOLE
(SV BACKPLATE MODULE 9321-60093)

| | | | |
|---|---------------|--|----------|
| DRAWN | P. C | DATE | 05/15/25 |
| CHECKED | X. Y | DATE | 05/15/25 |
| APPROVED | J Q | DATE | 05/15/25 |
| UNLESS OTHERWISE SPECIFIED DIMENSIONS ARE IN MILLIMETERS, DIMENSIONS IN [] ARE IN INCHES FOR CUSTOMER REFERENCE ONLY UNLESS OTHERWISE SPECIFIED TOLERANCE ARE: | | THESE DRAWINGS AND SPECIFICATIONS ARE THE PROPERTY OF ANOISON ELECTRONICS LTD AND SHOULD NOT BE USED WITHOUT WRITTEN PERMISSION COPYRIGHT © 2025 ANOISON ELECTRONICS LTD | |
| .XX | ±0.13 [.005"] | | |
| .X | ±0.20 [.008"] | | |
| X | ±0.50 [.019"] | | |
| .X° | ±1° | | |
| X° | ±2° | | |



TITLE
SMPS VITA 67.3 Backplane Contact for .047 Cable

| | | | |
|------------|---------------------------|--------------|-----------|
| VIEW | PART NO. ANO 7812-2006 | | |
| SIZE A3 | SCALE 10:1 | SHEET 1/1 | REV. A |

4 3 2 1