

4 3 2 1

REVISIONS			
REV.	DESCRIPTION	DATE	APPROVED
A	INITIAL RELEASE	08/01/23	J. Q
B	INSULATOR MATERIAL CHANGED	09/25/23	J. Q

MATERIAL & FINISH:

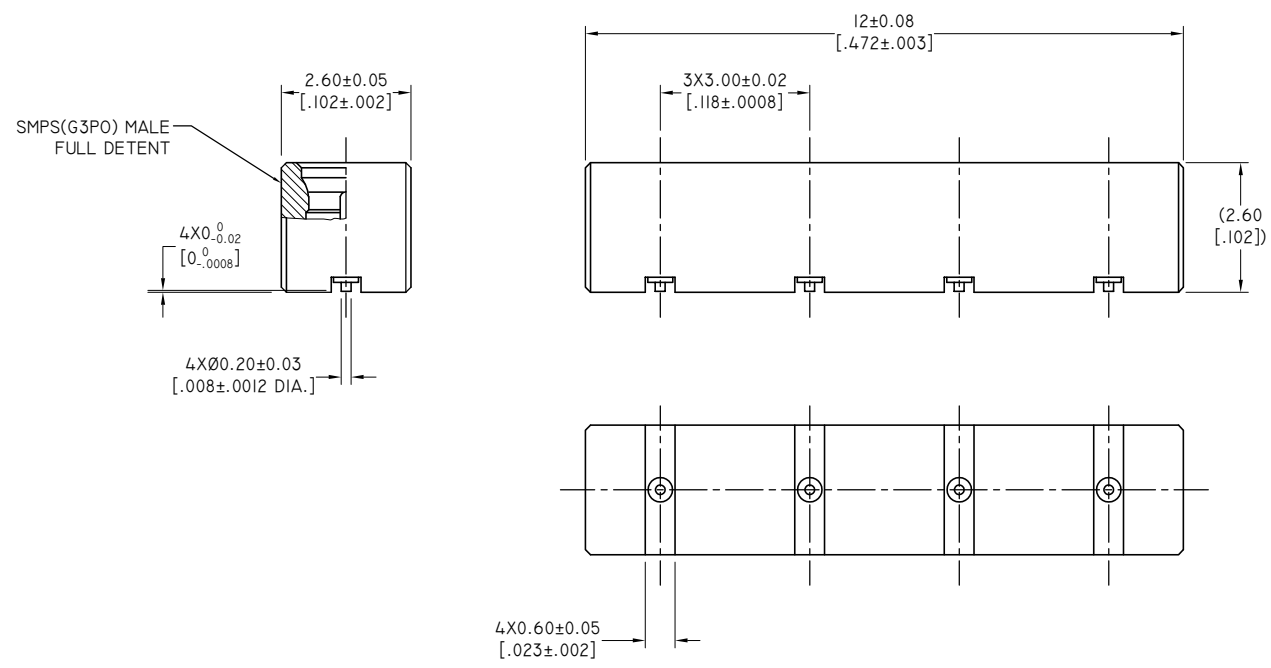
1. BODY: STAINLESS STEEL, GOLD PLATED
2. CENTER CONTACT: BERYLLIUM COPPER, GOLD PLATED
3. INSULATOR: PEEK

ENVIRONMENTAL DATA:

1. OPERATING TEMPERATURE AND HUMIDITY RANGE: -55°C~+155°C,85%RH(MAX.)
2. STORAGE TEMPERATURE AND HUMIDITY RANGE: -55°C~+155°C,85%RH(MAX.)
3. 2011/65/EU (RoHS): COMPLIANT
4. DURABILITY: 100 TIMES

ELECTRICAL SPECIFICATIONS:

1. IMPEDANCE: 50 Ω
2. FREQUENCY RANGE: DC~65GHZ
3. RETURN LOSS:>18 DB DC~26.5 GHz
>12 DB 26.5~40 GHz
>7 DB 40~65 GHz
4. RATED VOLTAGE:>AC80V
5. INSULATION RESISTANCE(DC 250V): >3500 MΩ
6. WITHSTAND VOLTAGE: AC250V, 1 MINUTE
7. CONTACT RESISTANCE: <6 mΩ (CENTER CONTACT)
<2 mΩ (EXTERNAL CONTACT)



DRAWN	W. Y	DATE	09/25/23
CHECKED	L. Y	DATE	09/25/23
APPROVED	J. Q	DATE	09/25/23
UNLESS OTHERWISE SPECIFIED DIMENSIONS ARE IN MILLIMETERS, DIMENSIONS IN [] ARE IN INCHES FOR CUSTOMER REFERENCE ONLY UNLESS OTHERWISE SPECIFIED TOLERANCE ARE:		THESE DRAWINGS AND SPECIFICATIONS ARE THE PROPERTY OF ANOISON ELECTRONICS LTD AND SHOULD NOT BE USED WITHOUT WRITTEN PERMISSION COPYRIGHT © 2023 ANOISON ELECTRONICS LTD	
.XX	±0.13	[.005"]	
.X	±0.20	[.008"]	
X	±0.50	[.019"]	
X°	±1°		
X°	±2°		

TITLE
SMPS(G3PO) FD STRAIGHT MALE 4-PORT SURFACE MOUNT

PART NO.
ANO 7811-5013

VIEW		SIZE A3	SCALE 10:1	SHEET 1/1	REV. B
-------------	--	-------------------	----------------------	---------------------	------------------

D
C
B
A

D
C
B
A

4 3 2 1