

4 3 2 1

**MATERIAL & FINISH:**

- 1 BODY: STAINLESS STEEL, GOLD PLATED
- 2 CENTER CONTACT: BERYLLIUM COPPER ALLOY, GOLD PLATED
- 3 INSULATOR: PTFE

**ELECTRICAL DATA:**

- 1 IMPEDANCE: 50 Ω
- 2 FREQUENCY RANGE: DC~65 GHz
- 3 VSWR: 1.25 MAX. @ DC~26.5 GHz  
1.35 MAX. @ 26.5~50 GHz

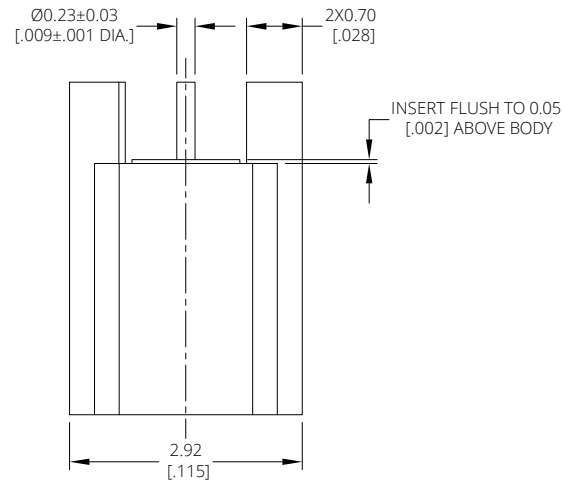
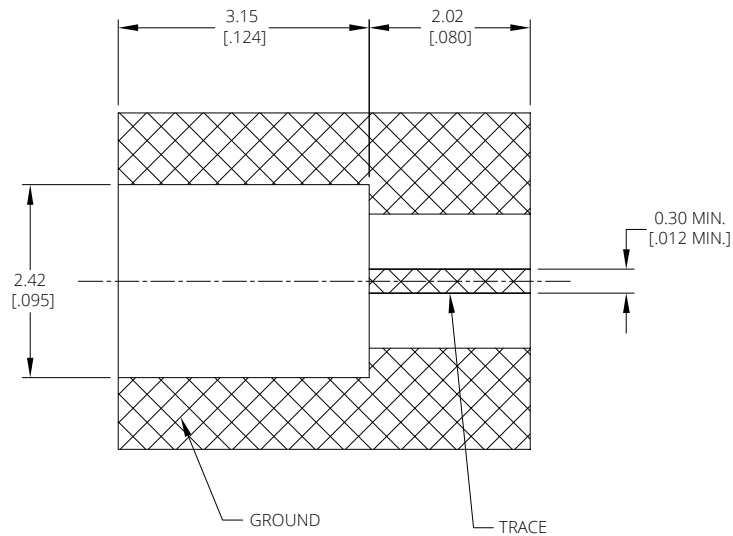
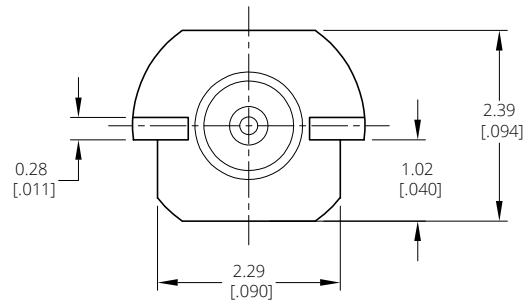
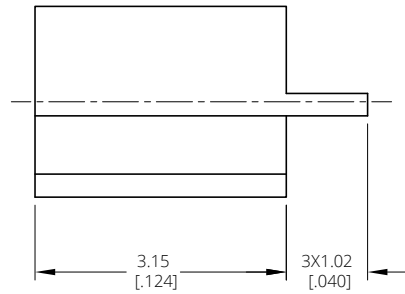
**ENVIRONMENTAL DATA:**

- 1 TEMPERATURE RANGE: -55°C~+165°C
- 2 2011/65/EU(RoHS) AND 2015/863/(RoHS): COMPLIANT
- 3 1999/45/EC(REACH): COMPLIANT

REVISIONS			
REV.	DESCRIPTION	DATE	APPROVED
A	INITIAL RELEASE	07/14/23	J. Q
B	ADDED FOOT PATTERN	04/12/24	J. Q

D  
C  
B  
A

D  
C  
B  
A



DRAWN	W. Y	DATE	04/12/24
CHECKED	X. Y	DATE	04/12/24
APPROVED	J. Q	DATE	04/12/24
UNLESS OTHERWISE SPECIFIED DIMENSIONS ARE IN MILLIMETERS, DIMENSIONS IN [ ] ARE IN INCHES FOR CUSTOMER REFERENCE ONLY UNLESS OTHERWISE SPECIFIED TOLERANCE ARE:		THESE DRAWINGS AND SPECIFICATIONS ARE THE PROPERTY OF ANOISON ELECTRONICS LTD AND SHOULD NOT BE USED WITHOUT WRITTEN PERMISSION COPYRIGHT © 2024 ANOISON ELECTRONICS LTD	
xx	±0.13 [.005"]		
x	±0.20 [.008"]		
X	±0.50 [.019"]		
x°	±1°		
x°	±2°		

TITLE: SMPS (FD) STRAIGHT EDGE MOUNT

VIEW:

PART NO. ANO 7811-5012

SIZE	SCALE	SHEET	REV.
A3	4:1	1/1	B

4 3 2 1