

4

3

2

1

REVISIONS			
REV.	DESCRIPTION	DATE	APPROVED
A	INITIAL RELEASE	10/10/25	J. Q

**MATERIAL & FINISH**

- 1 BODY: STAINLESS STEEL, PASSIVATED
- 2 CENTER CONTACT: BRASS, GOLD 1.27µm
- 3 COUPLING NUT: STAINLESS STEEL, PASSIVATED
- 4 INSULATOR: PEI

**ENVIRONMENTAL DATA:**

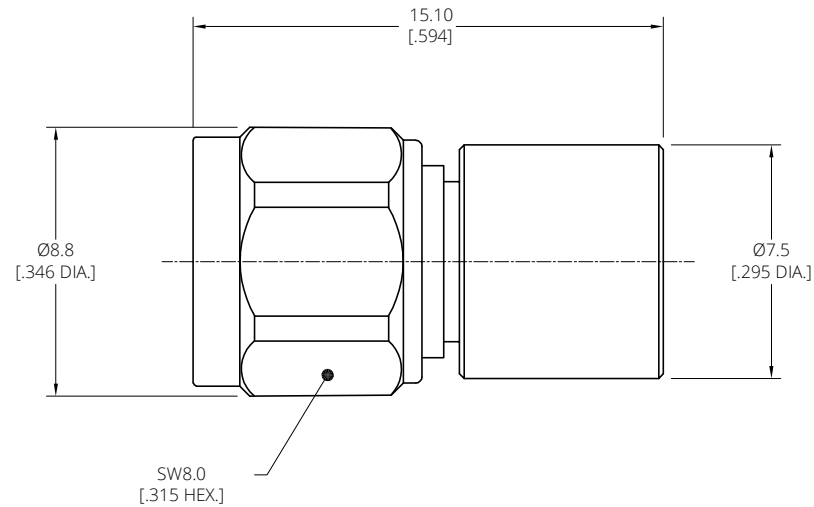
- 1 OPERATING TEMPERATURE RANGE: -55°C~+125°C
- 2 STORAGE TEMPERATURE RANGE: -55°C~+125°C
- 3 2011/65/EU (RoHS): COMPLIANT

**ELECTRICAL DATA:**

- 1 IMPEDANCE: 50 OHMS
- 2 FREQUENCY RANGE: DC~90 GHz
- 3 VSWR: 1.60 MAX.
- 4 AVERAGE POWER: 1 WATTS AVERAGE TO 25°C AMBIENT TEMPERATRUUE, DERATED LINEARLY TO 0.1 W @ 125°C
- 5 PEAK POWER: MAXIMUM POWER 5 W (5µS PULSE WIDTH WITH THE MAXIMUM 1% DUTY CYCLE)

**MECHANICAL DATA:**

- 1 MATING CYCLES: 500 MIN.



DRAWN	W. Y	DATE	10/10/25
CHECKED	X. Y	DATE	10/10/25
APPROVED	J. Q	DATE	10/10/25
UNLESS OTHERWISE SPECIFIED DIMENSIONS ARE IN MILLIMETERS, DIMENSIONS IN [ ] ARE IN INCHES FOR CUSTOMER REFERENCE ONLY UNLESS OTHERWISE SPECIFIED TOLERANCE ARE:		THESE DRAWINGS AND SPECIFICATIONS ARE THE PROPERTY OF ANOISON ELECTRONICS LTD AND SHOULD NOT BE USED WITHOUT WRITTEN PERMISSION COPYRIGHT © 2025 ANOISON ELECTRONICS LTD	
	XX	±0.13 [0.005"]	
	X	±0.20 [0.008"]	
	x	±0.50 [0.019"]	
	x°	±1°	
	x"	±2°	



TITLE			
COAXIAL TERMINATION, 1.35MM MALE, 1 WATT, DC~90GHz			
VIEW	PART NO.		
	ANO 780-101		
SIZE	SCALE	SHEET	REV.
A3	4:1	1/1	A

4

3

2

1