

MATERIAL & FINISH

- 1 BODY: BRASS, ALBALOY PLATED
- 2 CENTER BRASS, SILVER PLATED
- 3 INSULATOR: PTFE
- 4 COUPLING NUT: BRASS, ALBALOY PLATED
- 5 GASKTE: MVQ(SILICONE RUBBER)

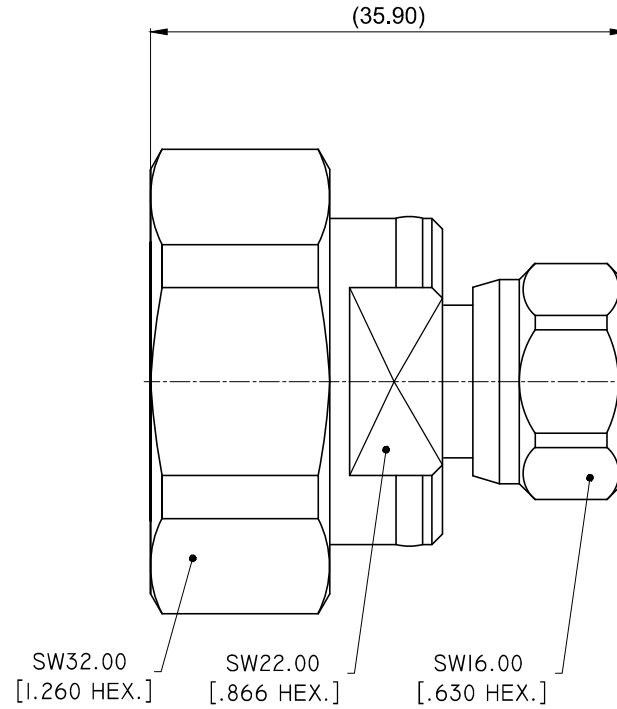
ELECTRICAL DATA:

- 1 IMPEDANCE: 50 OHMS
- 2 FREQUENCY RANGE: DC~6 GHZ
- 3 VSWR: 1.10 MAX. AT DC~6 GHZ
- 4 INTERMODULATION(3RD ORDER): <-160 DBC(2X43 DBM) AT 0.4~4 GHZ

ENVIRONMENTAL DATA:

- 1 TEMPERATURE RANGE: -55°C~+125°C
- 2 2011/65/EU(RoHS) AND 2015/863/(RoHS): COMPLIANT
- 3 1999/45/EC(REACH): COMPLIANT

REVISIONS			
REV.	DESCRIPTION	DATE	APPROVED
A	INITIAL RELEASE	03/19/19	J. QU



DRAWN	W. YANG	DATE	03/19/19
CHECKED	X. B. YANG	DATE	03/19/19
APPROVED	J. QU	DATE	03/19/19
UNLESS OTHERWISE SPECIFIED DIMENSIONS ARE IN MILLIMETERS. DIMENSIONS IN [] ARE IN INCHES FOR CUSTOMER REFERENCE ONLY UNLESS OTHERWISE SPECIFIED TOLERANCE ARE:		THESE DRAWINGS AND SPECIFICATIONS ARE THE PROPERTY OF ANOISON ELECTRONICS LTD AND SHOULD NOT BE USED WITHOUT WRITTEN PERMISSION COPYRIGHT © 2019 ANOISON ELECTRONICS LTD	
.XX	+0.13 [.005"]		
.X	+0.20 [.008"]		
X	+0.50 [.019"]		
.X°	±1°		
X°	±2°		

TITLE
ADAPTER, 2.2-5 MALE TO 7/16 MALE

VIEW

PART NO.
ANO 771-561-I488

SIZE A3	SCALE 2:1	SHEET 1/1	REV. A
-------------------	---------------------	---------------------	------------------