

4

3

2

1

MATERIAL & FINISH

- 1 BODY: STAINLESS STEEL, PASSIVATED
- 2 CENTER CONTACT: BERYLLIUM COPPER ALLOY, GOLD PLATED
- 3 INSULATOR: PEI
- 4 RESISTANCE: BERYLLIUM OXIDE

ENVIRONMENTAL DATA:

- 1 OPERATING TEMPERATURE RANGE: -55 °C~+125 °C
- 2 STORAGE TEMPERATURE RANGE: -55 °C~+125 °C
- 3 2011/65/EU(RoHS) AND 2015/863/(RoHS): COMPLIANT
- 4 1999/45/EC(REACH): COMPLIANT

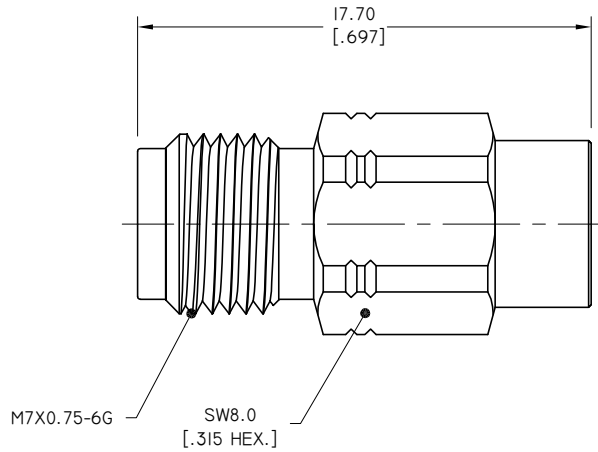
ELECTRICAL DATA:

- 1 IMPEDANCE: 50 OHMS
- 2 FREQUENCY RANGE: DC~67 GHZ
- 3 VSWR: 1.20 MAX. DC~18 GHZ
1.30 MAX. 18~40 GHZ
1.35 MAX. 40~67 GHZ
- 4 AVERAGE POWER: 1 WATT AVERAGE TO 25°C AMBIENT
TEMPERATURE, DERATED LINEARLY TO 0.1 W @ 125°C
- 5 PEAK POWER: 0.1 KW (5µS PULSE WIDTH WITH 0.5% DUTY CYCLE)

MECHANICAL DATA:

- 1 MATING CYCLES: 500 MIN.

REVISIONS			
REV.	DESCRIPTION	DATE	APPROVED
C	CHANGED ELECTRICAL DATA	05/28/18	J. QU
D	CHANGED ELECTRICAL DATA	02/06/20	J. QU



DRAWN	P. CHEN	DATE	02/06/20
CHECKED	L. YANG	DATE	02/06/20
APPROVED	J. QU	DATE	02/06/20
UNLESS OTHERWISE SPECIFIED DIMENSIONS ARE IN MILLIMETERS, DIMENSIONS IN [] ARE IN INCHES FOR CUSTOMER REFERENCE ONLY UNLESS OTHERWISE SPECIFIED TOLERANCE ARE:		THESE DRAWINGS AND SPECIFICATIONS ARE THE PROPERTY OF ANOISON ELECTRONICS LTD AND SHOULD NOT BE USED WITHOUT WRITTEN PERMISSION COPYRIGHT © 2020 ANOISON ELECTRONICS LTD	
.XX	±0.13 [.005"]		
.X	±0.20 [.008"]		
X	±0.50 [.019"]		
.X°	±1°		
X°	±2°		



TITLE			
COAXIAL TERMINATION 1 WATT, 1.85MM FEMALE DC-67GHZ, VSWR 1.35 MAX.			
VIEW	PART NO.		
	ANO 762-202		
SIZE	SCALE	SHEET	REV.
A3	5:1	1/1	D

4

3

2

1

D

C

B

A

D

C

B

A