

4 3 2 1

MATERIAL & FINISH:

- 1 BODY: STAINLESS STEEL, PASSIVATED
- 2 CENTER CONTACT: BERYLLIUM COPPER ALLOY, GOLD PLATED
- 3 INSULATOR: PEI & PTFE

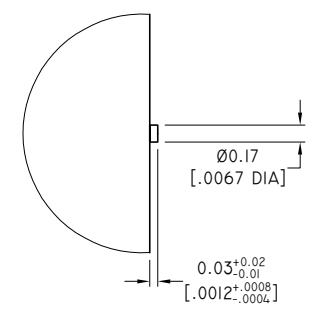
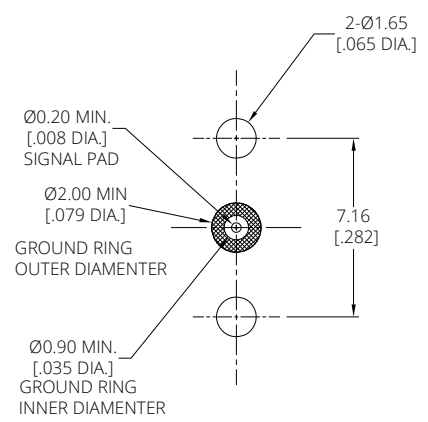
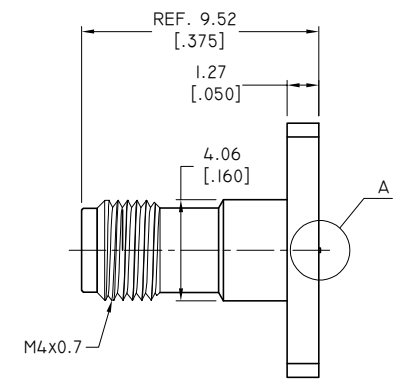
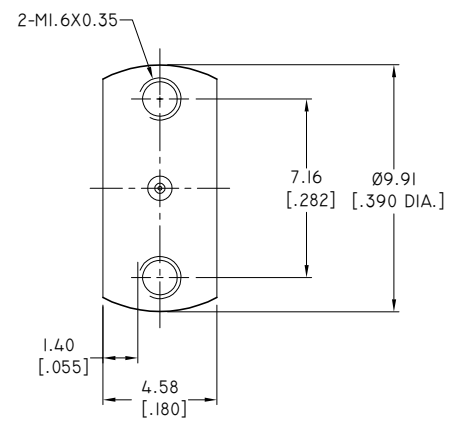
ELECTRICAL DATA:

- 1 IMPEDANCE: 50 Ω
- 2 FREQUENCY RANGE: DC~110 GHz
- 3 VSWR: 1.35 MAX.
- 4 INSERTION LOSS(dB): 0.06X√F (F=GHZ)

REVISIONS			
REV.	DESCRIPTION	DATE	APPROVED
A	INITIAL RELEASE	10/31/22	J. Q
A	ADDED VSWR AND INSERTION LOSS	04/11/23	J. Q

ENVIRONMENTAL DATA:

- 1 TEMPERATURE RANGE: -55°C~+165°C
- 2 2011/65/EU(RoHS) AND 2015/863/(RoHS): COMPLIANT
- 3 1999/45/EC(REACH): COMPLIANT



DETAIL A

DRAWN	W. Y	DATE	04/11/23
CHECKED	L. Y	DATE	04/11/23
APPROVED	J. Q	DATE	04/11/23
UNLESS OTHERWISE SPECIFIED DIMENSIONS ARE IN MILLIMETERS, DIMENSIONS IN [] ARE IN INCHES FOR CUSTOMER REFERENCE ONLY UNLESS OTHERWISE SPECIFIED TOLERANCE ARE:		THESE DRAWINGS AND SPECIFICATIONS ARE THE PROPERTY OF ANOISON ELECTRONICS LTD AND SHOULD NOT BE USED WITHOUT WRITTEN PERMISSION COPYRIGHT © 2023 ANOISON ELECTRONICS LTD	
.XX	±0.08 [.003"]		
.X	±0.20 [.008"]		
X	±0.50 [.019"]		
.X°	±1°		
X°	±2°		



TITLE			
IMM STRAIGHT FEMALE, VERTICAL LAUNCH, STRIPLINE 2 HOLE .400 LONG FLANGE COMPRESSION MOUNT			
VIEW		PART NO.	
		ANO 7612-3015	
SIZE	SCALE	SHEET	REV.
A3	5:1	1/1	B

4 3 2 1