

4

3

2

1

1.0 MATERIAL & FINISH

- 1.1 BODY: STAINLESS STEEL, PASSIVATED
 1.2 CENTER CONTACT: BERYLLIUM COPPER ALLOY, GOLD PLATED
 1.3 INSULATOR: PEI

3.0 ELECTRICAL DATA:

- 3.1 IMPEDANCE: 50 OHMS
 3.2 FREQUENCY RANGE: DC~110GHZ

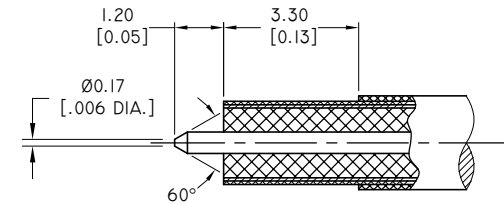
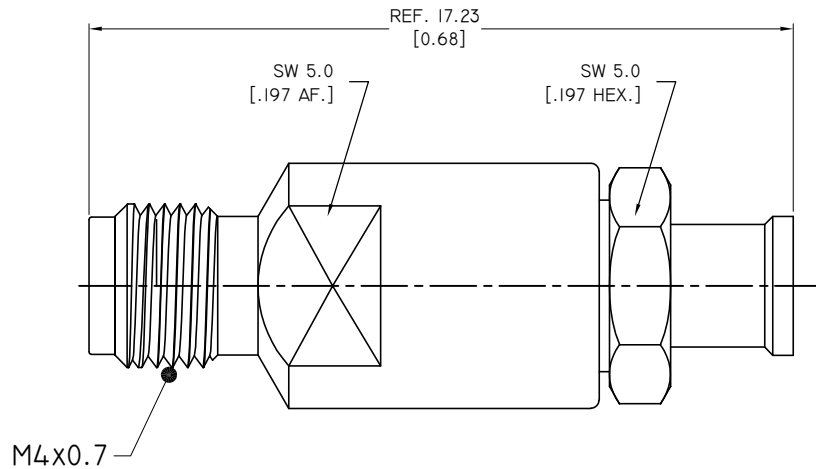
2.0 ENVIRONMENTAL DATA:

- 2.1 TEMPERATURE RANGE: -55°C~+165°C
 2.2 2011/65/EU (RoHS): COMPLIANT


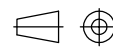
4.0 MECHANICAL DATA:

- 4.1 MECHANICAL DURABILITY: 500 CYCLES MIN.
 4.2 CENTER CONTACT: CAPTIVATED
 4.3 OUTER CONTACT: SOLDERED

REVISIONS			
REV.	DESCRIPTION	DATE	APPROVED
A	INITIAL RELEASE	04/12/20	J. QU



CABLE STRIPPING DIMENSIONS

DRAWN	W. YANG	DATE	03/12/20	 ...we create connection for technologies			
CHECKED	X. B. YANG	DATE	03/12/20				
APPROVED	J. QU	DATE	03/12/20				
UNLESS OTHERWISE SPECIFIED DIMENSIONS ARE IN MILLIMETERS, DIMENSIONS IN [] ARE IN INCHES FOR CUSTOMER REFERENCE ONLY UNLESS OTHERWISE SPECIFIED TOLERANCE ARE:		THESE DRAWINGS AND SPECIFICATIONS ARE THE PROPERTY OF ANOISON ELECTRONICS LTD AND SHOULD NOT BE USED WITHOUT WRITTEN PERMISSION COPYRIGHT © 2020 ANOISON ELECTRONICS LTD					
.XX	±0.13 [.005"]	TITLE IMM STRAIGHT FEMALE SOLDER FOR .047 CABLE PART NO. ANO 7612-2010 VIEW 					
.X	±0.20 [.008"]						
X	±0.50 [.019"]						
.X°	±1°						
X°	±2°						
SIZE	A3	SCALE	8:1	SHEET	1/1	REV.	A

4

3

2

1