

4 3 2 1

**MATERIAL & FINISH**

- 1 CONNECTOR BODY: BRASS, ALBALOY PLATING
- 2 RADIATOR: ALUMINIUM, BLACK

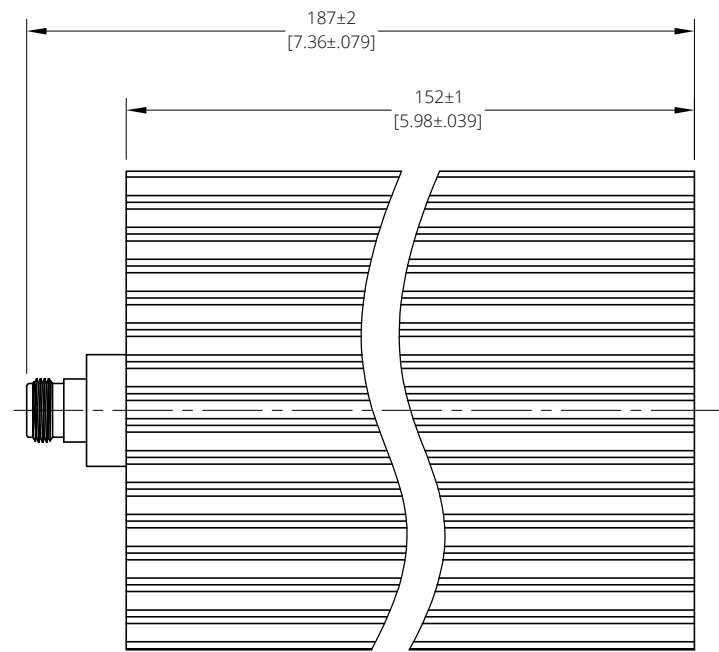
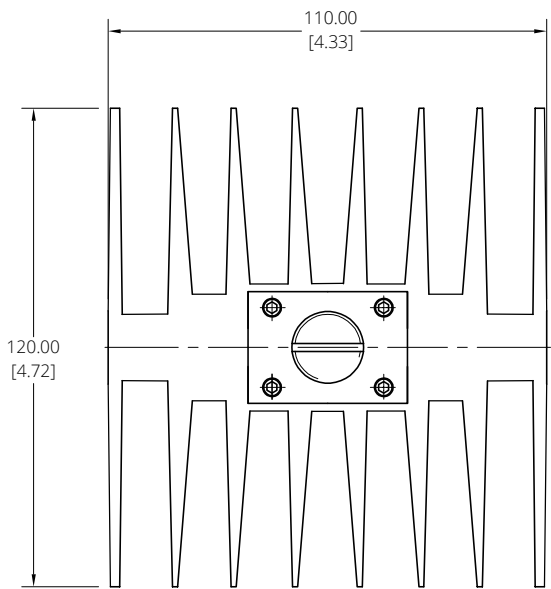
**ENVIRONMENTAL DATA:**

- 1 OPERATING TEMPERATURE RANGE: -55°C~+125°C
- 2 2015/863/(RoHS): COMPLIANT
- 3 1907/2006/EC(REACH) AND 1999/45/EC(REACH): COMPLIANT

**ELECTRICAL DATA:**

- 1 IMPEDANCE: 50 Ω
- 2 FREQUENCY RANGE: DC~18 GHz
- 3 VSWR: 1.45 MAX.
- 4 AVERAGE POWER: 150 WATT AVERAGE TO 25°C AMBIENT TEMPERATRUE, DERATED LINEARLY TO 10 W @ 125°C
- 5 PEAK POWER: 1000 W (5μS PLUSE WIDTH WITH 7% DUTY CYCLE)

REVISIONS			
REV.	DESCRIPTION	DATE	APPROVED
A	INITIAL RELEASE	04/10/25	J. Q



D  
C  
B  
A

D  
C  
B  
A

DRAWN	W. Y	DATE	04/10/25
CHECKED	X. Y	DATE	04/10/25
APPROVED	J. Q	DATE	04/10/25
UNLESS OTHERWISE SPECIFIED DIMENSIONS ARE IN MILLIMETERS, DIMENSIONS IN [ ] ARE IN INCHES FOR CUSTOMER REFERENCE ONLY UNLESS OTHERWISE SPECIFIED TOLERANCE ARE:		THESE DRAWINGS AND SPECIFICATIONS ARE THE PROPERTY OF ANOISON ELECTRONICS LTD AND SHOULD NOT BE USED WITHOUT WRITTEN PERMISSION COPYRIGHT © 2024 ANOISON ELECTRONICS LTD	
XX	±0.13 [005"]		
X	±0.20 [008"]		
X	±0.50 [019"]		
X*	±1°		
X*	±2°		

TITLE  
COAXIAL TERMINATION, N FEMALE 150 WATTS, DC~18 GHz

VIEW

PART NO. ANO 751-280

SIZE	SCALE	SHEET	REV.
A3	1:1	1/1	A

4 3 2 1