

4

3

2

1

REVISIONS

REV.	DESCRIPTION	DATE	APPROVED
A	INITIAL RELEASE	08/12/24	J. Q

MATERIAL & FINISH

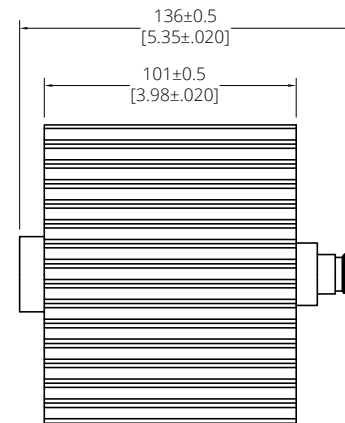
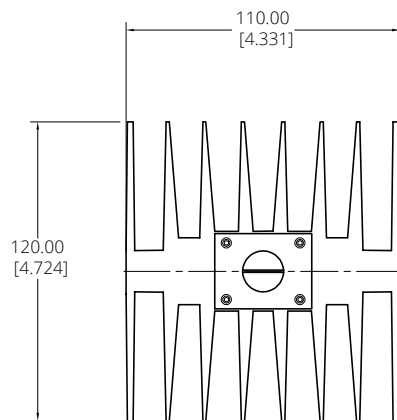
- 1 BODY: BRASS, ALBALOY PLATED
- 2 CENTER CONTACT: PHOSPHOR BRONZE , GOLD PLATED
- 3 INSULATOR: PTFE
- 4 RADIATOR: ALUMINIUM, BLACK

ELECTRICAL DATA:

- 1 IMPEDANCE: 50 OHMS
- 2 FREQUENCY RANGE: DC~8 GHz
- 3 VSWR: 1.20 MAX.
- 4 AVERAGE POWER: 100 WATT AVERAGE TO 25°C AMBIENT TEMPERATRUE, DERATED LINEARLY TO 10 W @ 125°C
- 5 PEAK POWER: 1000 W (5µS PULSE WIDTH WITH 1% DUTY CYCLE)

ENVIRONMENTAL DATA:

- 1 TEMPERATURE RANGE: -55°C~+125°C
- 2 2011/65/EU(RoHS) AND 2015/863/(RoHS): COMPLIANT
- 3 1907/2006/EC(REACH): COMPLIANT



DRAWN	W. Y	DATE	08/12/24
CHECKED	L. Y	DATE	08/12/24
APPROVED	J. Q	DATE	08/12/24
UNLESS OTHERWISE SPECIFIED DIMENSIONS ARE IN MILLIMETERS, DIMENSIONS IN [ ] ARE IN INCHES FOR CUSTOMER REFERENCE ONLY UNLESS OTHERWISE SPECIFIED TOLERANCE ARE:		THESE DRAWINGS AND SPECIFICATIONS ARE THE PROPERTY OF ANOISON ELECTRONICS LTD AND SHOULD NOT BE USED WITHOUT WRITTEN PERMISSION COPYRIGHT © 2024 ANOISON ELECTRONICS LTD	
.XX	±0.13 [.005"]		
.X	±0.20 [.008"]		
X	±0.50 [.019"]		
X°	±1°		
X"	±2°		



TITLE  
COAXIAL TERMINATION, N FEMALE 100 WATTS, DC~8GHZ

VIEW	PART NO. ANO 751-269		
	SIZE A3	SCALE 4:1	SHEET 1/1
	REV. A		

4

3

2

1