

4

3

2

1

REVISIONS

REV.	DESCRIPTION	DATE	APPROVED
A	INITIAL RELEASE	03/15/24	J. Q

MATERIAL & FINISH

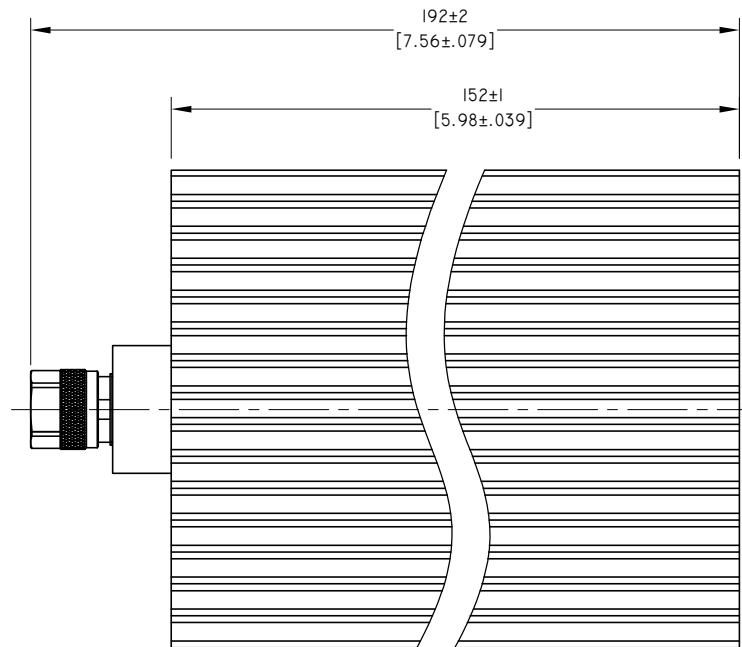
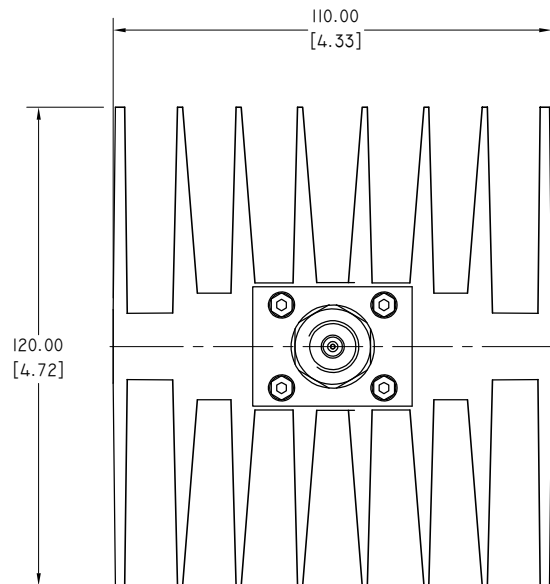
- 1 CONNECTOR BODY: BRASS, NICKEL PLATING
- 2 CENTER CONTACT: BRONZE, SILVER PLATED
- 3 INSULATOR: PTFE
- 4 RADIATOR: ALUMINIUM, BLACK

ENVIRONMENTAL DATA:

- 1 OPERATING TEMPERATURE RANGE: -55°C~+125°C
- 2 2015/863/(RoHS): COMPLIANT
- 3 1907/2006/EC(REACH) AND 1999/45/EC(REACH): COMPLIANT

ELECTRICAL DATA:

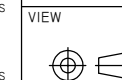
- 1 IMPEDANCE: 50 Ω
- 2 FREQUENCY RANGE: DC-12.4 GHz
- 3 VSWR: 1.25 MAX. @ 8.5GHz  
1.35 MAX. @ 12.4 GHz
- 4 AVERAGE POWER: 150 WATT AVERAGE TO 25°C AMBIENT TEMPERATRUE, DERATED LINEARLY TO 10 W @ 125°C
- 5 PEAK POWER: 1500 W (5μs PULSE WIDTH WITH 1% DUTY CYCLE)



DRAWN	W. Y	DATE	03/15/24
CHECKED	X. Y	DATE	03/15/24
APPROVED	J. Q	DATE	03/15/24
UNLESS OTHERWISE SPECIFIED DIMENSIONS ARE IN MILLIMETERS, DIMENSIONS IN [ ] ARE IN INCHES FOR CUSTOMER REFERENCE ONLY UNLESS OTHERWISE SPECIFIED TOLERANCE ARE:		THESE DRAWINGS AND SPECIFICATIONS ARE THE PROPERTY OF ANOISON ELECTRONICS LTD AND SHOULD NOT BE USED WITHOUT WRITTEN PERMISSION COPYRIGHT © 2024 ANOISON ELECTRONICS LTD	
.XX	±0.13 [ .005"]		
.X	±0.20 [ .008"]		
X	±0.50 [ .019"]		
X°	±1°		
X"	±2°		



TITLE  
COAXIAL TERMINATION, N MALE 150 WATTS, DC-12.4GHz



VIEW				PART NO. ANO 75I-26I			
SIZE	SCALE	SHEET	REV.				
A3	1:1	1/1	A				

4

3

2

1