

4

5

2

1

MATERIAL & FINISH:

- 1 BODY: STAINLESS STEEL, PASSIVATED
- 2 CENTER CONTACT: PHOSPHOR BRONZE, GOLD PLATED
- 3 INSULATOR: PTFE
- 4 COUPLIN NUT: STAINLESS STEEL, PASSIVATED
- 5 RETAINING RING: PHOSPHOR BRONZE, UNPLATED
- 6 GASKET: SILICONE RUBBER
- 7 RIVET: BRASS, NICKEL PLATED
- 8 CHAIN: BRASS, NICKEL PLATED
- 9 SPLIT RING: BRASS, NICKEL PLATED

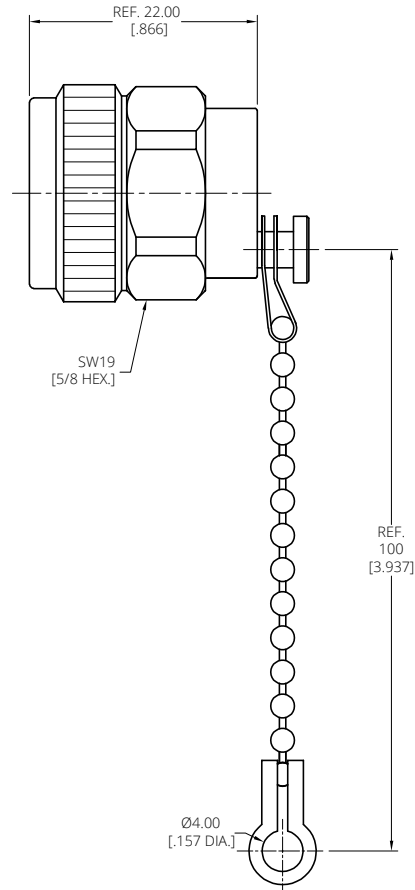
ENVIRONMENTAL DATA:


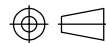
- 1 TEMPERATURE RANGE: -55°C~+125°C
- 2 2011/65/EU(RoHS) AND 2015/863/(RoHS): COMPLIANT
- 3 REACH SVHC247: COMPLIANT
- 4 INGREE PROTECTION: IP68

ELECTRICAL DATA:

- 1 IMPEDANCE: 50 Ω
- 2 FREQUENCY RANGE: DC~18 GHz
- 3 VSWR: 1.20 MAX.
- 4 AVERAGE POWER: 2 WATTS TO 25°C AMBIENT TEMPERATURE, DERATED LINEARLY TO 0.5 W @ 125°C
- 5 PEAK POWER: 500 WATTS (5μS PULSE WIDTH WITH 0.4% DUTY CYCLE)

REVISIONS			
REV.	DESCRIPTION	DATE	APPROVED
A	INITIAL RELEASE	09/16/25	J. Q



DRAWN	X. Y	DATE	09/16/25			
CHECKED	W. Y	DATE	09/16/25			
APPROVED	J. Q	DATE	09/16/25			
UNLESS OTHERWISE SPECIFIED DIMENSIONS ARE IN MILLIMETERS, DIMENSIONS IN [] ARE IN INCHES FOR CUSTOMER REFERENCE ONLY UNLESS OTHERWISE SPECIFIED TOLERANCE ARE:		THESE DRAWINGS AND SPECIFICATIONS ARE THE PROPERTY OF ANOISON ELECTRONICS LTD AND SHOULD NOT BE USED WITHOUT WRITTEN PERMISSION COPYRIGHT © 2025 ANOISON ELECTRONICS LTD				
.XX	±0.13 [.005"]					
.X	±0.20 [.008"]					
X	±0.50 [.019"]					
.X°	±1°					
X°	±2°					
VIEW		TITLE				
		COAXIAL TERMINATION, N MALE, 2 WATTS, DC~18 GHz SS/P WITH CHAIN				
PART NO.		ANO 751-182				
SIZE	A3	SCALE	2.5:1	SHEET	1/1	
REV.		A				

4

3

2

1

D

D

C

C

B

B

A

A