

4 3 2 1

MATERIAL & FINISH:

- 1 BODY: BRASS, ALBALOY PLATED
- 2 CENTER CONTACT: BRASS, GOLD PLATED
- 3 INSULATOR: PTFE
- 4 COUPLING NUT: BRASS, ALBALOY PLATED
- 5 RADIATOR: ALUMINIUM, BLACK

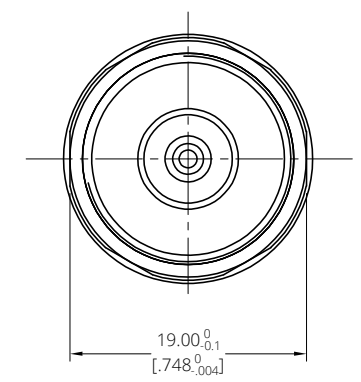
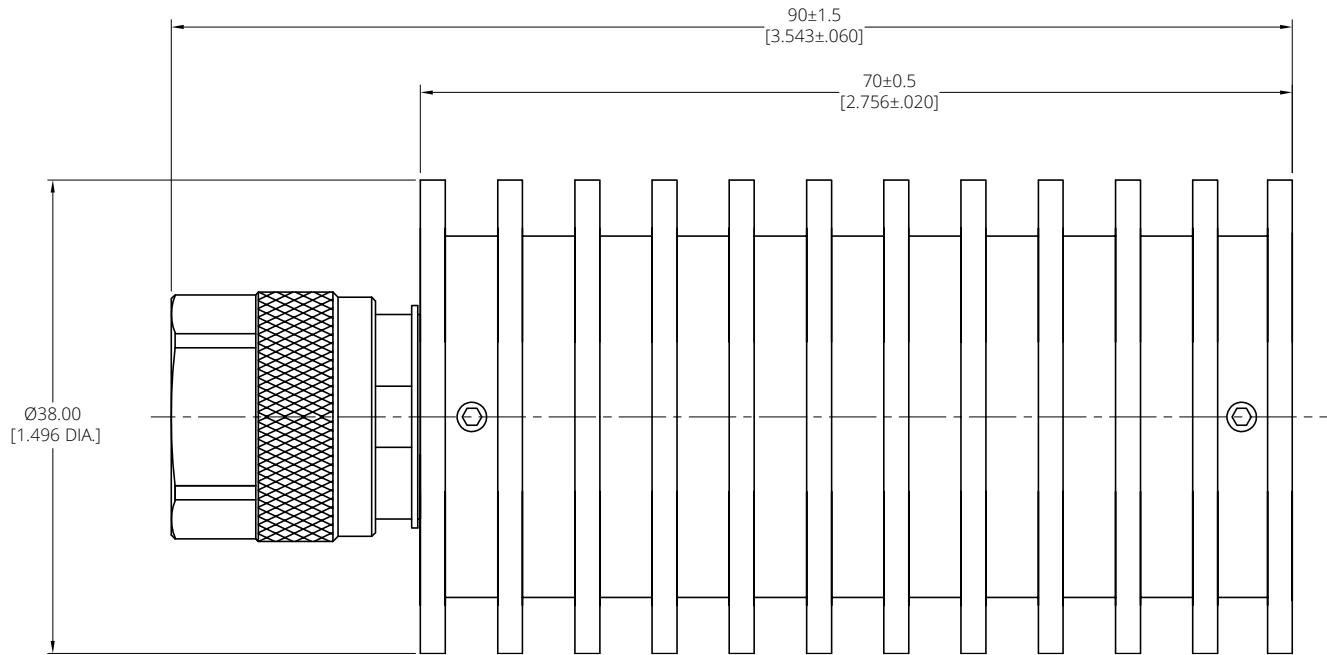
ENVIRONMENTAL DATA:

- 1 TEMPERATURE RANGE: -55°C~+125°C
- 2 2011/65/EU(RoHS) AND 2015/863/(RoHS): COMPLIANT
- 3 1999/45/EC(REACH): COMPLIANT

ELECTRICAL DATA:

- 1 IMPEDANCE: 50 Ω
- 2 FREQUENCY RANGE: DC~ 12.4 GHz
- 3 VSWR: 1.35 MAX.
- 4 POWER RATING: 30W @ 25°C

REVISIONS			
REV.	DESCRIPTION	DATE	APPROVED
A	INITIAL RELEASE	05/15/24	J. Q



D
C
B
A

D
C
B
A

DRAWN	Y. H	DATE	05/15/24
CHECKED	X. Y	DATE	05/15/24
APPROVED	J. Q	DATE	05/15/24
UNLESS OTHERWISE SPECIFIED DIMENSIONS ARE IN MILLIMETERS, DIMENSIONS IN [] ARE IN INCHES FOR CUSTOMER REFERENCE ONLY UNLESS OTHERWISE SPECIFIED TOLERANCE ARE:		THESE DRAWINGS AND SPECIFICATIONS ARE THE PROPERTY OF ANOISON ELECTRONICS LTD AND SHOULD NOT BE USED WITHOUT WRITTEN PERMISSION COPYRIGHT © 2024 ANOISON ELECTRONICS LTD	
XX	±0.13 [0.005"]		
X	±0.20 [0.008"]		
X	±0.50 [0.019"]		
X°	±1°		
X°	±2°		

TITLE
COAXIAL TERMINATION, N MALE 30 WATTS, DC-12.4 GHZ

VIEW

PART NO.
ANO 751-164

SIZE A4	SCALE 2.5:1	SHEET 1/1	REV. A
-------------------	-----------------------	---------------------	------------------

4 3 2 1