

4

3

2

1

MATERIAL & FINISH

- 1 CONNECTOR BODY: BRASS, NICKEL PLATING
- 2 CENTER CONTACT: BRONZE, SILVER PLATED
- 3 INSULATOR: PTFE
- 4 RADIATOR: ALUMINIUM, BLACK

ENVIRONMENTAL DATA:

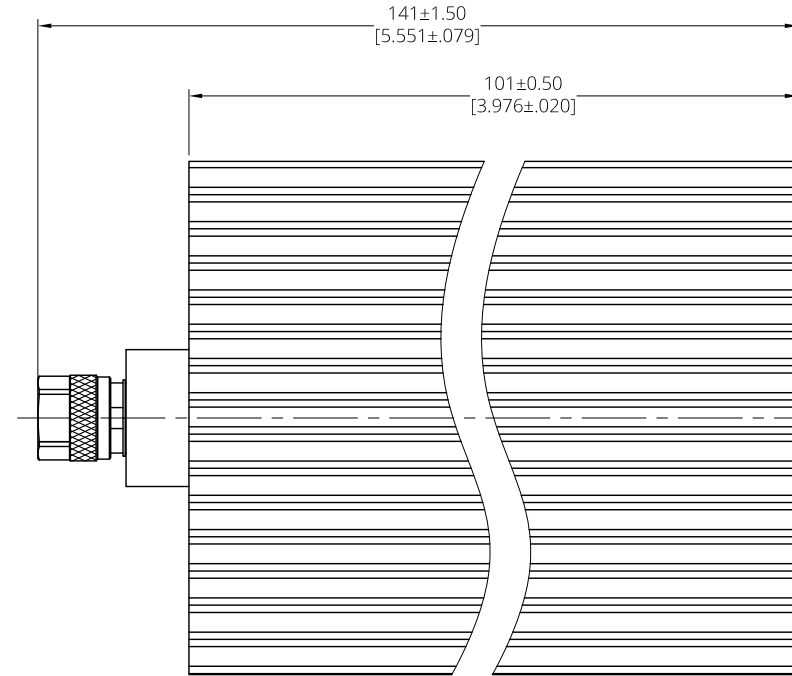
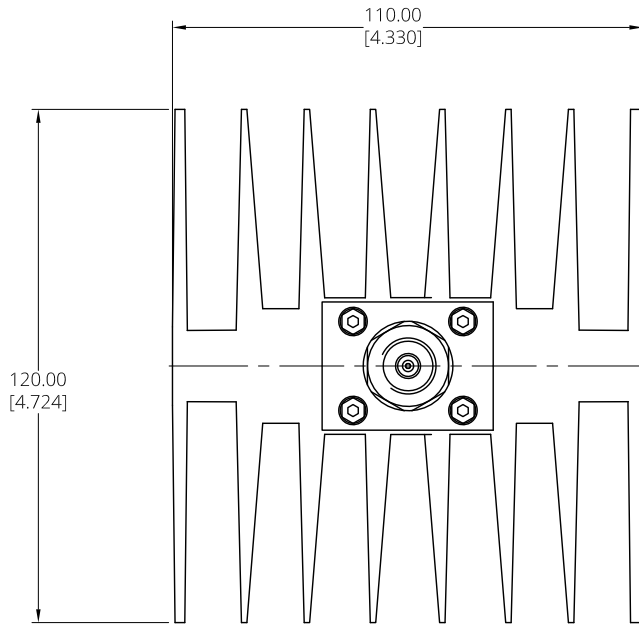
- 1 OPERATING TEMPERATURE RANGE: -55°C--+125°C
- 2 2015/863/(ROHS): COMPLIANT
- 3 1907/2006/EC(REACH) AND 1999/45/EC(REACH): COMPLIANT

ELECTRICAL DATA:

- 1 IMPEDANCE: 50 Ω
- 2 FREQUENCY RANGE: DC~8 GHZ
- 3 VSWR: 1.15 MAX. @ DC~2 GHZ
1.20 MAX. @ 2~8 GHZ
- 4 AVERAGE POWER: 100 WATT AVERAGE TO 25°C AMBIENT TEMPERATRUUE,
DERATED LINEARLY TO 10 W @ 125°C
- 5 PEAK POWER: 1000 W (5MS PLUSE WIDTH WITH 1% DUTY CYCLE)

REVISIONS

REV.	DESCRIPTION	DATE	APPROVED
A	INITIAL RELEASE	03/19/24	J. Q
B	CHANGED ANO 751-162 WAS ANO 751-262	05/15/24	J. Q
C	VSWR: 1.15 MAX. @ DC~2 GHz 1.20 MAX. @ 2~8 GHZ WAS VSWR: 1.20 MAX.	03/31/26	J. Q



DRAWN	Y. H	DATE	03/31/26
CHECKED	L. Y	DATE	03/31/26
APPROVED	J. Q	DATE	03/31/26
UNLESS OTHERWISE SPECIFIED DIMENSIONS ARE IN MILLIMETERS, DIMENSIONS IN [] ARE IN INCHES FOR CUSTOMER REFERENCE ONLY UNLESS OTHERWISE SPECIFIED		TOLERANCE ARE:	
.XX	±0.13 [.005"]	THESE DRAWINGS AND SPECIFICATIONS ARE THE PROPERTY OF ANOISON GROUP. THEY SHALL NOT BE REPRODUCED OR USED WITHOUT WRITTEN PERMISSION. © 2026 ANOISON GROUP. ALL RIGHTS RESERVED.	
.X	±0.20 [.008"]		
X	±0.50 [.019"]		
.X°	±1°		
X°	±2°		



TITLE			
COAXIAL TERMINATION, N MALE 100 WATTS, DC~8GHZ			
VIEW		PART NO.	
		ANO 751-162	
SIZE	SCALE	SHEET	REV.
A3	4:5	1/1	C