

4 3 2 1

REVISIONS			
REV.	DESCRIPTION	DATE	APPROVED
A	INITIAL RELEASE	10/25/21	J. QU

MATERIAL & FINISH

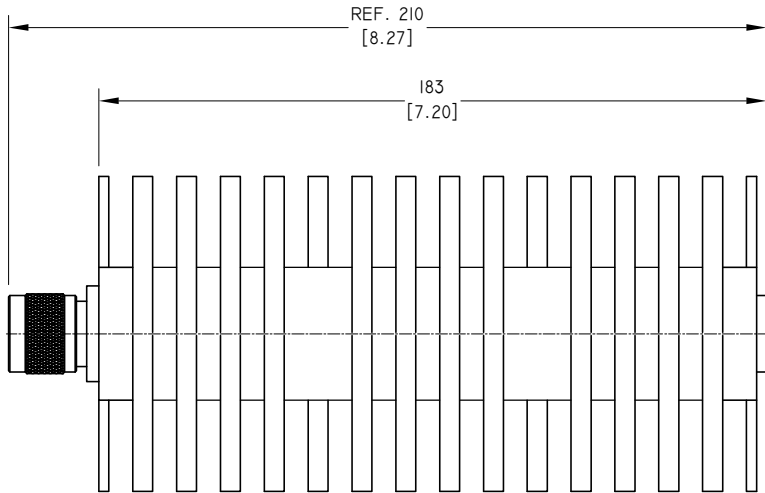
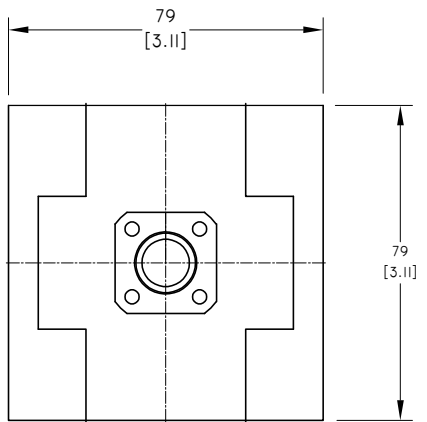
- 1 CONNECTOR BODY: BRASS, NICKEL PLATED
- 2 CENTER CONTACT: BRASS, SILVER PLATED
- 3 INSULATOR: PTFE
- 4 RADIATOR: ALUMINIUM, BLACK

ENVIRONMENTAL DATA:

- 1 OPERATING TEMPERATURE RANGE: -55°C~+100°C
- 2 2015/863/(RoHS): COMPLIANT
- 3 1907/2006/EC(REACH) AND 1999/45/EC(REACH): COMPLIANT

ELECTRICAL DATA:

- 1 IMPEDANCE: 50 Ω
- 2 FREQUENCY RANGE: DC~6GHz
- 3 VSWR: 1.30 MAX.
- 4 AVERAGE POWER: 200 WATTS AVERAGE TO 25°C AMBIENT TEMPERATURE, DERATED LINEARLY TO 10W @ 125°C
- 5 PEAK POWER: 2000 W (100μS PULSE WIDTH WITH THE MAXIMUM 10% DUTY CYCLE)



DRAWN	W. YANG	DATE	10/25/21
CHECKED	X.B. YANG	DATE	10/25/21
APPROVED	J. QU	DATE	10/25/21
UNLESS OTHERWISE SPECIFIED DIMENSIONS ARE IN MILLIMETERS, DIMENSIONS IN [] ARE IN INCHES FOR CUSTOMER REFERENCE ONLY UNLESS OTHERWISE SPECIFIED TOLERANCE ARE:		THESE DRAWINGS AND SPECIFICATIONS ARE THE PROPERTY OF ANOISON ELECTRONICS LTD AND SHOULD NOT BE USED WITHOUT WRITTEN PERMISSION COPYRIGHT © 2021 ANOISON ELECTRONICS LTD	
.XX	±0.13 [.005"]		
.X	±0.20 [.008"]		
X	±0.50 [.019"]		
X°	±1°		
X*	±2°		

TITLE
COAXIAL TERMINATION, N MALE 200 WATTS, DC-6GHZ

PART NO.
ANO 751-I44

VIEW		SIZE	SCALE	SHEET	REV.
		A3	1:2	1/1	A

4 3 2 1