

MATERIAL & FINISH

- 1 BODY: BRASS, NICKEL PLATED
- 2 CENTER CONTACT: PHOSPHOR BRONZE, GOLD PLATED
- 3 COUPLING NUT: BRASS, NICKEL PLATED
- 4 INSULATOR: PTFE
- 5 RADIATOR: ALUMINIUM, BLACK

ENVIRONMENTAL DATA:

- 1 TEMPERATURE RANGE: -55°C~+125°C
- 2 2011/65/EU(RoHS) AND 2015/863/(RoHS): COMPLIANT
- 3 1907/2006/EC(REACH): COMPLIANT

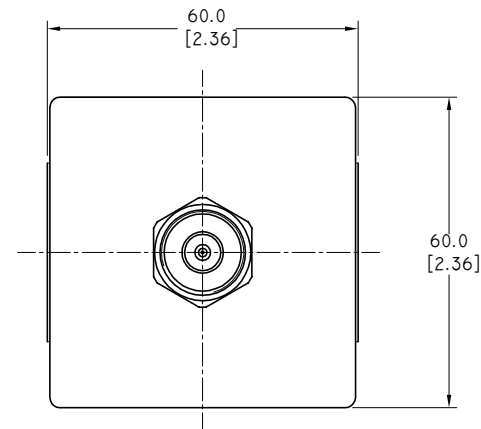
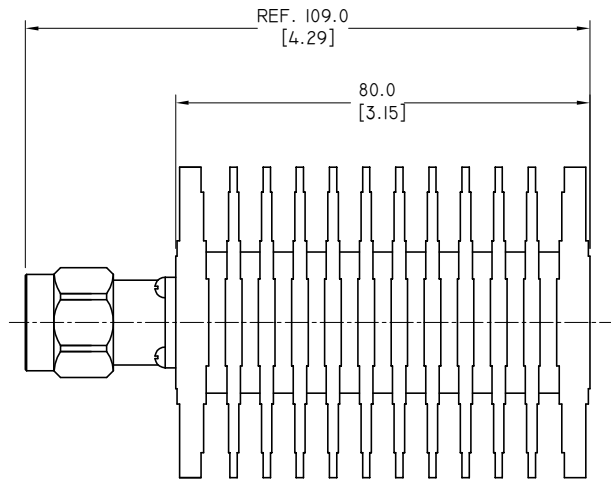
ELECTRICAL DATA:

- 1 IMPEDANCE: 50 OHMS
- 2 FREQUENCY RANGE: DC~6 GHz
- 3 VSWR: 1.25 MAX.
- 4 AVERAGE POWER: 50 WATT AVERAGE TO 25°C AMBIENT TEMPERATRUE, DERATED LINEARLY TO 5 W @ 125°C
- 5 PEAK POWER: 500 W (5μS PLUSE WIDTH WITH 1% DUTY CYCLE)

MECHANICAL DATA:

- 1 WEIGHT: 378 G

REVISIONS			
REV.	DESCRIPTION	DATE	APPROVED
A	INITIAL RELEASE	04/10/20	J. QU



DRAWN	X. B. YANG	DATE	04/10/20
CHECKED	W. YANG	DATE	04/10/20
APPROVED	J. QU	DATE	04/10/20

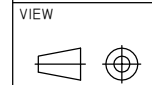
UNLESS OTHERWISE SPECIFIED DIMENSIONS ARE IN MILLIMETERS, DIMENSIONS IN [] ARE IN INCHES FOR CUSTOMER REFERENCE ONLY UNLESS OTHERWISE SPECIFIED TOLERANCE ARE:

.XX	±0.13 [.005"]
.X	±0.20 [.008"]
X	±0.50 [.019"]
.X°	±1°
X°	±2°

THESE DRAWINGS AND SPECIFICATIONS ARE THE PROPERTY OF ANOISON ELECTRONICS LTD AND SHOULD NOT BE USED WITHOUT WRITTEN PERMISSION COPYRIGHT © 2020 ANOISON ELECTRONICS LTD



TITLE
COAXIAL TERMINATION, N MALE 50 WATTS, DC~6GHZ



VIEW			
PART NO. ANO 751-I36			
SIZE A3	SCALE 4:1	SHEET 1/1	REV. A