

MATERIAL & FINISH:

1. BODY: BRASS, ALBALOY PLATED
2. CENTER CONTACT: PHOSPHOR BRONZE, SILVER PLATED
3. INSULATOR: PTFE
4. GASKTE: MVQ(SILICONE RUBBER)
5. RADIATOR: ALUMINIUM, BLACK
6. RESISTOR: BERYLLIUM OXIDE

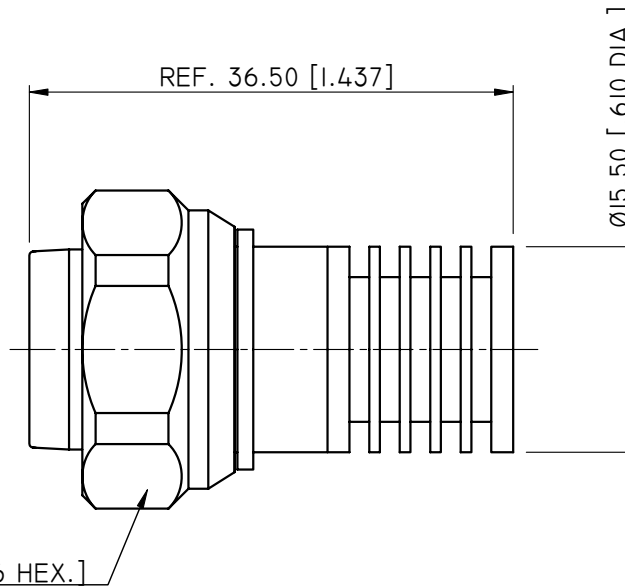
ELECTRICAL SPECIFICATIONS:

1. IMPEDANCE: 50 Ω
2. FREQUENCY RANGE: DC~8.5 GHZ
3. VSWR: 1.15 MAX AT DC~3 GHZ
1.25 MAX AT 3~8.5GHZ
4. AVERAGE POWER: 5W AVERAGE TO 25°C AMBIENT TEMPERATRUE, DERATED LINEARLY TO 0.5W @ 125°C
5. PEAK POWER: 0.5KW (5μS PLUSE WIDTH WITH 1% DUTY CYCLE)



ENVIRONMENTAL DATA:

1. TEMPERATURE RANGE: -55°C~+125°C
2. 2011/65/EU (RoHS): COMPLIANT

REVISIONS			
REV.	DESCRIPTION	DATE	APPROVED
A	INITIAL RELEASE	07/01/15	J. QU



SW 22.00 [.866 HEX.]

DRAWN	X. B. YANG	DATE	07/01/15				
CHECKED	L. YANG	DATE	07/01/15				
APPROVED	J. QU	DATE	07/01/15				
UNLESS OTHERWISE SPECIFIED DIMENSIONS ARE IN MILLIMETERS, DIMENSIONS IN [] ARE IN INCHES FOR CUSTOMER REFERENCE ONLY UNLESS OTHERWISE SPECIFIED TOLERANCE ARE:		THESE DRAWINGS AND SPECIFICATIONS ARE THE PROPERTY OF ANOISON ELECTRONICS LTD AND SHOULD NOT BE USED WITHOUT WRITTEN PERMISSION COPYRIGHT © 2015 ANOISON ELECTRONICS LTD		TITLE COAXIAL TERMINATION 4.3-10 MALE 5 WATTS, DC~8.5GHZ			
.XX	±0.13 [.005"]			VIEW		PART NO. ANO 747-103	
.X	±0.20 [.008"]			SIZE	SCALE	SHEET	REV.
X	±0.50 [.019"]			A3	2.5:1	1/1	A
.X°	±1°						
X°	±2°						