

MATERIAL & FINISH

- 1 BODY: BRASS, ALBALOY PLATED
- 2 CENTER CONTACT: BRASS, SILVER PLATED
- 3 INSULATOR: PTFE
- 4 COUPLING NUT: BRASS, ALBALOY PLATED
- 5 GASKTE: MVQ(SILICONE RUBBER)
- 6 RADIATOR: ALUMINIUM, BLACK
- 7 RESISTANCE: BERYLLIUM OXIDE

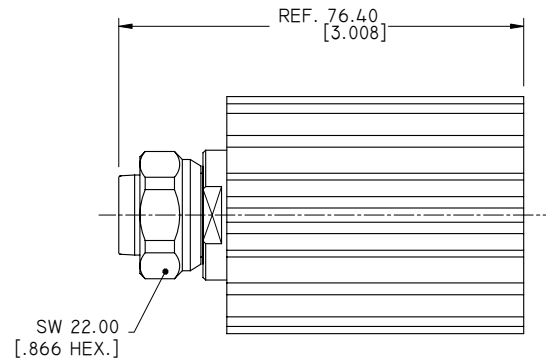
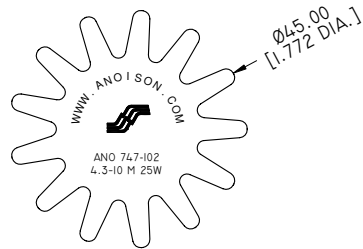
ELECTRICAL DATA:

- 1 IMPEDANCE: 50 OHMS
- 2 FREQUENCY RANGE: DC~7 GHZ
- 3 VSWR: 1.15 MAX. AT DC~3 GHZ
1.25 MAX. AT 3~7 GHZ
- 4 AVERAGE POWER: 25 WATTS AVERAGE TO 25°C AMBIENT TEMPERATRUE, DERATED LINEARLY TO 2.5W @ 125°C
- 5 PEAK POWER: 1KW (5µS PULSE WIDTH WITH 2.5% DUTY CYCLE)

ENVIRONMENTAL DATA:

- 1 TEMPERATURE RANGE: -55 °C~+125 °C
- 2 2011/65/EU (RoHS): COMPLIANT

REVISIONS			
REV.	DESCRIPTION	DATE	APPROVED
A	INITIAL RELEASE	07/13/15	J. QU



DRAWN	X. B. YANG	DATE	07/13/15				
CHECKED	L. YANG	DATE	07/13/15				
APPROVED	J. QU	DATE	07/13/15				
UNLESS OTHERWISE SPECIFIED DIMENSIONS ARE IN MILLIMETERS, DIMENSIONS IN [] ARE IN INCHES FOR CUSTOMER REFERENCE ONLY UNLESS OTHERWISE SPECIFIED TOLERANCE ARE: .XX ±0.13 [.005"] .X ±0.20 [.008"] X ±0.50 [.019"] .X° ±1° X° ±2°		THESE DRAWINGS AND SPECIFICATIONS ARE THE PROPERTY OF ANOISON ELECTRONICS LTD AND SHOULD NOT BE USED WITHOUT WRITTEN PERMISSION COPYRIGHT © 2015 ANOISON ELECTRONICS LTD		TITLE COAXIAL TERMINATION 4.3-10 MALE 25 WATTS, DC~7GHZ			
		VIEW 	PART NO. ANO 747-102	SIZE A3	SCALE 1:1	SHEET 1/1	REV. A