

MATERIAL & FINISH

- 1 BODY: BRASS, ALBALOY PLATED
- 2 CENTER CONTACT: PHOSPHOR BRONZE, SILVER PLATED
- 3 INSULATOR: PTFE
- 4 COUPLING NUT: BRASS, ALBALOY PLATED
- 5 GASKTE: MVQ(SILICONE RUBBER)
- 6 RADIATOR: ALUMINIUM, BLACK
- 7 RESISTANCE: BERYLLIUM OXIDE

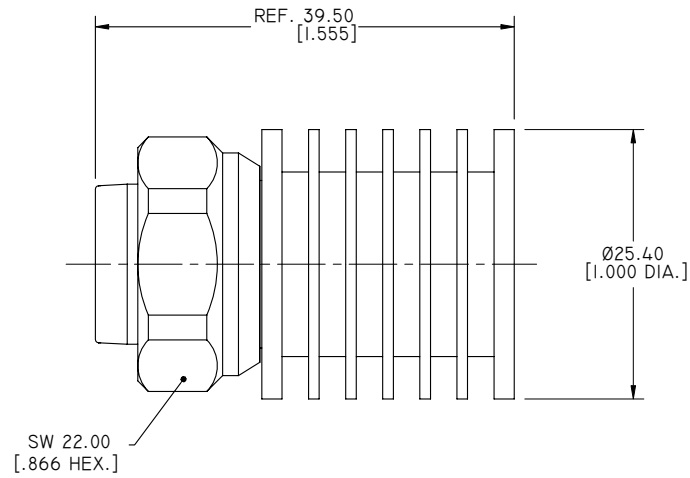
ELECTRICAL DATA:

- 1 IMPEDANCE: 50 OHMS
- 2 FREQUENCY RANGE: DC~8.5 GHZ
- 3 VSWR: 1.15 MAX. AT DC~3 GHZ
1.25 MAX. AT 3~8.5 GHZ
- 4 AVERAGE POWER: 10 WATTS AVERAGE TO 25°C AMBIENT TEMPERATRUE, DERATED LINEARLY TO 1W @ 125°C
- 5 PEAK POWER: 1KW (5µS PULSE WIDTH WITH 1% DUTY CYCLE)

ENVIRONMENTAL DATA:

- 1 TEMPERATURE RANGE: -55°C~+125°C
- 2 2011/65/EU (RoHS): COMPLIANT

REVISIONS			
REV.	DESCRIPTION	DATE	APPROVED
A	INITIAL RELEASE	06/30/15	J. QU



DRAWN	X. B. YANG	DATE	06/30/15	
CHECKED	L. YANG	DATE	06/30/15	
APPROVED	J. QU	DATE	06/30/15	
<small>UNLESS OTHERWISE SPECIFIED DIMENSIONS ARE IN MILLIMETERS, DIMENSIONS IN [] ARE IN INCHES FOR CUSTOMER REFERENCE ONLY UNLESS OTHERWISE SPECIFIED TOLERANCE ARE:</small>		<small>THESE DRAWINGS AND SPECIFICATIONS ARE THE PROPERTY OF ANOISON ELECTRONICS LTD AND SHOULD NOT BE USED WITHOUT WRITTEN PERMISSION COPYRIGHT © 2015 ANOISON ELECTRONICS LTD</small>		TITLE COAXIAL TERMINATION 4.3-10 MALE 10 WATTS, DC~8.5GHZ
.XX ±0.13 [.005"] .X ±0.20 [.008"] X ±0.50 [.019"] .X° ±1° X° ±2°		PART NO. ANO 747-101		VIEW
SIZE	A3	SCALE	2:1	SHEET 1/1 REV. A