

MATERIAL & FINISH

- 1 BODY: BRASS, ALBALOY PLATED
- 2 CENTER CONTACT: BERYLLIUM COPPER ALLOY, SILVER PLATED
- 3 INSULATOR: PTFE

ENVIRONMENTAL DATA:

- 1 TEMPERATURE RANGE: -55°C~+125°C
- 2 2011/65/EU(RoHS) AND 2015/863/(RoHS): COMPLIANT
- 3 1999/45/EC(REACH): COMPLIANT

MECHANICAL DATA:

- 1 MATING CYCLES: ≥100
- 2 RECOMMENDED TORQUE: 1.5 NM (NEXIO SIDE)

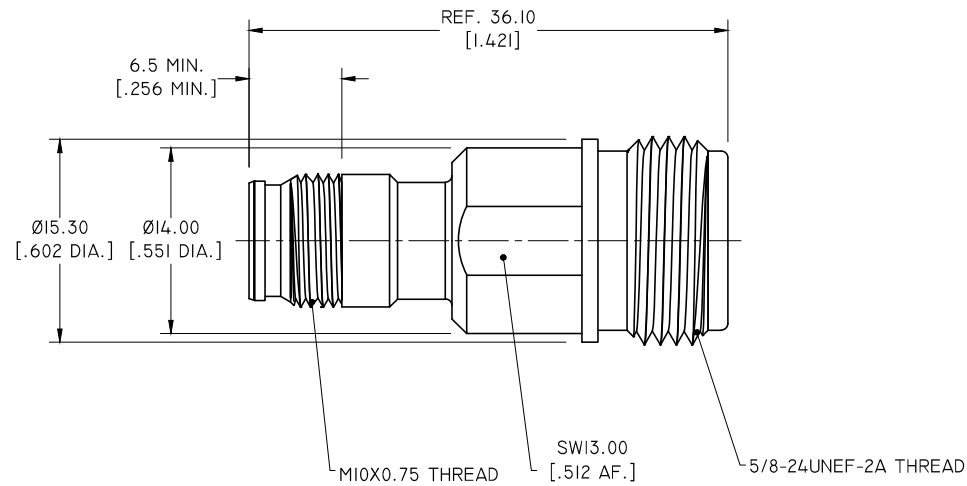
ELECTRICAL DATA:

- 1 IMPEDANCE: 50 OHMS
- 2 FREQUENCY RANGE: DC-11 GHZ
- 3 VSWR: 1.03 MAX. AT DC~4 GHZ
1.05 MAX. AT 4 GHZ~6 GHZ
1.10 MAX. AT 6 GHZ~10 GHZ
- 4 INSERTION LOSS: ≤ 0.05 x √F(GHZ) DB
- 5 INSULATION RESISTANCE: ≥ 5GΩ
- 6 CENTER CONTACT RESISTANCE: ≤2.0 MΩ, NEXIO SIDE ≤1.0 MΩ, N SIDE
OUTER CONTACT RESISTANCE: ≤1.0 MΩ, NEXIO SIDE ≤0.25 MΩ, N SIDE
- 7 INTERMODULATION(3RD ORDER): ≥ 155 DBC (2X4.3 DBM) AT 0.4~6.0 GHZ
- 8 TEST VOLTAGE: 500V RMS
- 9 RF-LEAKAGE: ≥110 DB AT DC TO 6GHZ
- 10 POWER HANDLING: 100W AT 2.0 GHZ AND 85°C AMBIENT TEMPERATURE

APPLICABLE STANDARDS:

- 1 NEXIO INTERFACE ACCORDING TO: TBD
- 2 N INTERFACE ACCORDING TO: IEC61169-16

REVISIONS			
REV.	DESCRIPTION	DATE	APPROVED
A	INITIAL RELEASE	09/20/17	J. QU
B	1. DRAWING FORMAT CHANGED 2. 2015/863/(RoHS): COMPLIANT ADDED 3. 1999/45/EC(REACH): COMPLIANT ADDED	11/05/18	J. QU



DRAWN	W. YANG	DATE	11/05/18
CHECKED	X. B. YANG	DATE	11/05/18
APPROVED	J. QU	DATE	11/05/18
UNLESS OTHERWISE SPECIFIED DIMENSIONS ARE IN MILLIMETERS. DIMENSIONS IN [] ARE IN INCHES FOR CUSTOMER REFERENCE ONLY UNLESS OTHERWISE SPECIFIED TOLERANCE ARE:		THESE DRAWINGS AND SPECIFICATIONS ARE THE PROPERTY OF ANOISON ELECTRONICS LTD AND SHOULD NOT BE USED WITHOUT WRITTEN PERMISSION COPYRIGHT © 2018 ANOISON ELECTRONICS LTD	
.XX	+0.13 [0.005"]		
.X	+0.20 [0.008"]		
X	+0.50 [0.019"]		
.X°	±1°		
X°	±2°		



TITLE			
ADAPTER, M10(NEXIO) FEMALE TO N FEMALE			
VIEW		PART NO.	
		ANO 742-512-1419	
SIZE	SCALE	SHEET	REV.
A3	2.5:1	1/1	B