

4

3

2

1

REVISIONS

REV.	DESCRIPTION	DATE	APPROVED
A	INITIAL RELEASE	09/22/21	J. QU

MATERIAL & FINISH:

1. BODY: BRASS, ALBALOY PLATED
2. COUPLING NUT: BRASS, ALBALOY PLATED
3. CENTER CONTACT: BRASS, SILVER PLATED
4. INSULATOR: PEI & PTFE
5. O-RING: MVQ(SILICONE RUBBER)

ENVIRONMENTAL DATA:

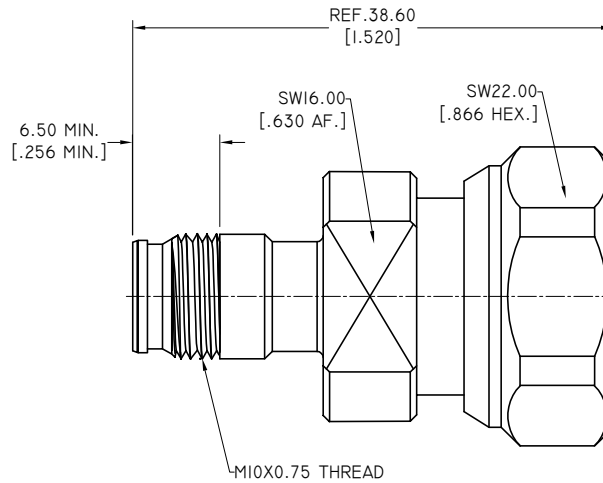
1. TEMPERATURE RANGE: -55°C~+90°C
2. 2011/65/EC (RoHS): COMPLIANT

APPLICABLE STANDARDS:

1. INTERFACE ACCORDING TO: IEC61169-54
2. NEXIO INTERFACE ACCORDING TO: TBD

ELECTRICAL DATA:

1. IMPEDANCE: 50 Ω
2. FREQUENCY RANGE: DC~6 GHZ
3. VSWR: 1.10 MAX.
4. INSERTION LOSS: 0.05 X √F(GHZ)
5. INSULATION RESISTANCE: 5000 MΩ
6. INTERMODULATION(3RD ORDER): <-155 DBC(2X43 DBM) AT 0.4~4 GHZ



DRAWN	W. YANG	DATE	09/22/21
CHECKED	L. YANG	DATE	09/22/21
APPROVED	J. QU	DATE	09/22/21
UNLESS OTHERWISE SPECIFIED DIMENSIONS ARE IN MILLIMETERS, DIMENSIONS IN [] ARE IN INCHES FOR CUSTOMER REFERENCE ONLY UNLESS OTHERWISE SPECIFIED TOLERANCE ARE:		THESE DRAWINGS AND SPECIFICATIONS ARE THE PROPERTY OF ANOISON ELECTRONICS LTD AND SHOULD NOT BE USED WITHOUT WRITTEN PERMISSION COPYRIGHT © 2021 ANOISON ELECTRONICS LTD	
.XX	±0.13 [.005"]		
.X	±0.20 [.008"]		
X°	±0.50 [.019"]		
X°	±1°		
X°	±2°		



TITLE ADAPTER, M10(NEXIO) FEMALE TO 4.3-10 MALE(SCREW TYPE)			
VIEW	PART NO. ANO 742-471-1570		
	SIZE A3	SCALE 2.5:1	SHEET 1/1
			REV. A

4

3

2

1