

4

3

2

1

## MATERIAL &amp; FINISH:

- 1 BODY: BRASS, ALBALOY PLATED
- 2 CENTER CONTACT: PHOSPHOR BRONZE, SILVER PLATED
- 3 INSULATOR: PTFE

## ENVIRONMENTAL DATA:

- 1 TEMPERATURE RANGE: -55°C~+125°C
- 2 2011/65/EU(RoHS) AND 2015/863/(RoHS): COMPLIANT
- 3 1999/45/EC(REACH): COMPLIANT

## MECHANICAL DATA:

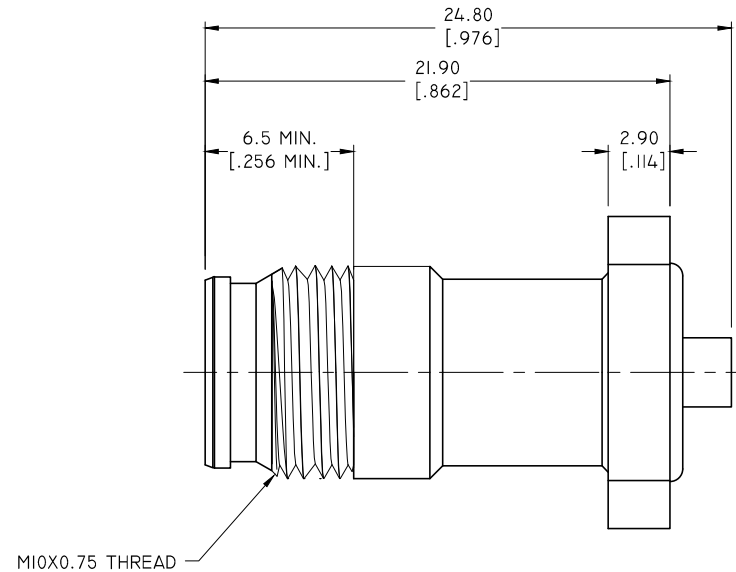
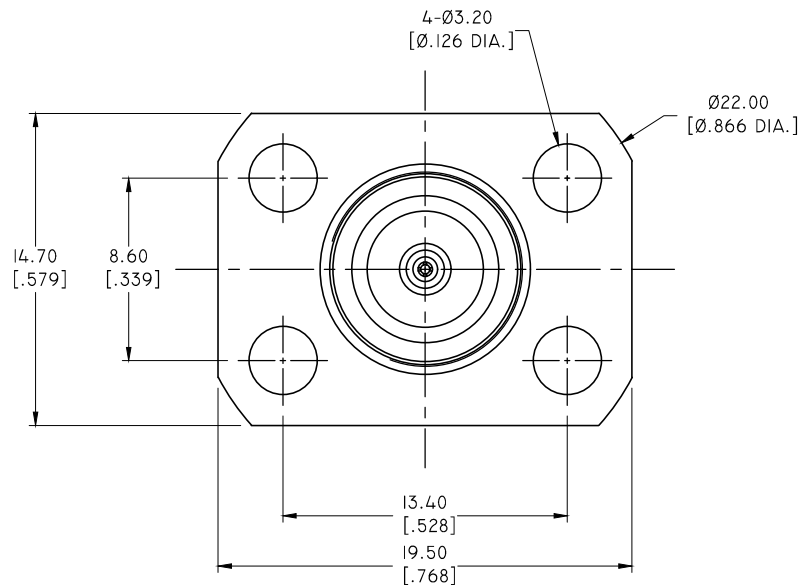
- 1 MATING CYCLES:  $\geq 100$
- 2 RECOMMENDED TORQUE: 1.5 NM (NEX10 SIDE)

## ELECTRICAL DATA:

- 1 IMPEDANCE: 50  $\Omega$
- 2 FREQUENCY RANGE: DC~20 GHz
- 3 VSWR: 1.25 MAX. TYPICAL
- 4 CONTACT RESISTANCE: CENTER CONTACT: 2.0  $m\Omega$   
OUTER CONTACT: 1.0  $m\Omega$
- 5 INTERMODULATION(3<sup>RD</sup> ORDER): <-166 DBC(2X43 DBM) AT 0.9-4 GHz

## REVISIONS

REV.	DESCRIPTION	DATE	APPROVED
A	INITIAL RELEASE	02/19/19	J. QU

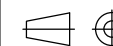


DRAWN	W. YANG	DATE	02/19/19
CHECKED	X. B. YANG	DATE	02/19/19
APPROVED	J. QU	DATE	02/19/19
UNLESS OTHERWISE SPECIFIED DIMENSIONS ARE IN MILLIMETERS. DIMENSIONS IN [ ] ARE IN INCHES FOR CUSTOMER REFERENCE ONLY UNLESS OTHERWISE SPECIFIED TOLERANCE ARE:		THESE DRAWINGS AND SPECIFICATIONS ARE THE PROPERTY OF ANOISON ELECTRONICS LTD AND SHOULD NOT BE USED WITHOUT WRITTEN PERMISSION COPYRIGHT © 2019 ANOISON ELECTRONICS LTD	
.XX	$\pm 0.13$ [.005"]		
.X	$\pm 0.20$ [.008"]		
X	$\pm 0.50$ [.019"]		
.X°	$\pm 1^\circ$		
X°	$\pm 2^\circ$		



TITLE  
M10(NEX10) STRAIGHT FEMALE 4 HOLE FLANGE  
SOLDER FOR .141 CABLE

VIEW



PART NO.

ANO 7412-2005

SIZE  
A3SCALE  
2.5:1SHEET  
1/1REV.  
A

4

3

2

1