

4

3

2

1

MATERIAL & FINISH

- 1 BODY: BRASS, ALBALOY PLATED
- 2 OUTER CONTACT: BERYLLIUM COPPER ALLOY, SILVER PLATED
- 3 CENTER CONTACT: PHOSPHOR BRONZE, SILVER PLATED
- 4 INSULATOR: PTFE
- 5 COUPLING NUT: BRASS, ALBALOY PLATED
- 6 GASKET: SILICONE

ENVIRONMENTAL DATA:

- 1 TEMPERATURE RANGE: -55°C~+125°C
- 2 2011/65/EU(RoHS) AND 2015/863/(RoHS): COMPLIANT
- 3 1907/2006/EC(REACH) AND 1999/45/EC(REACH): COMPLIANT

MECHANICAL DATA:

- 1 MATING CYCLES: ≥100
- 2 RECOMMENDED TORQUE: 1.5 NM (M10(NEX10) SIDE)

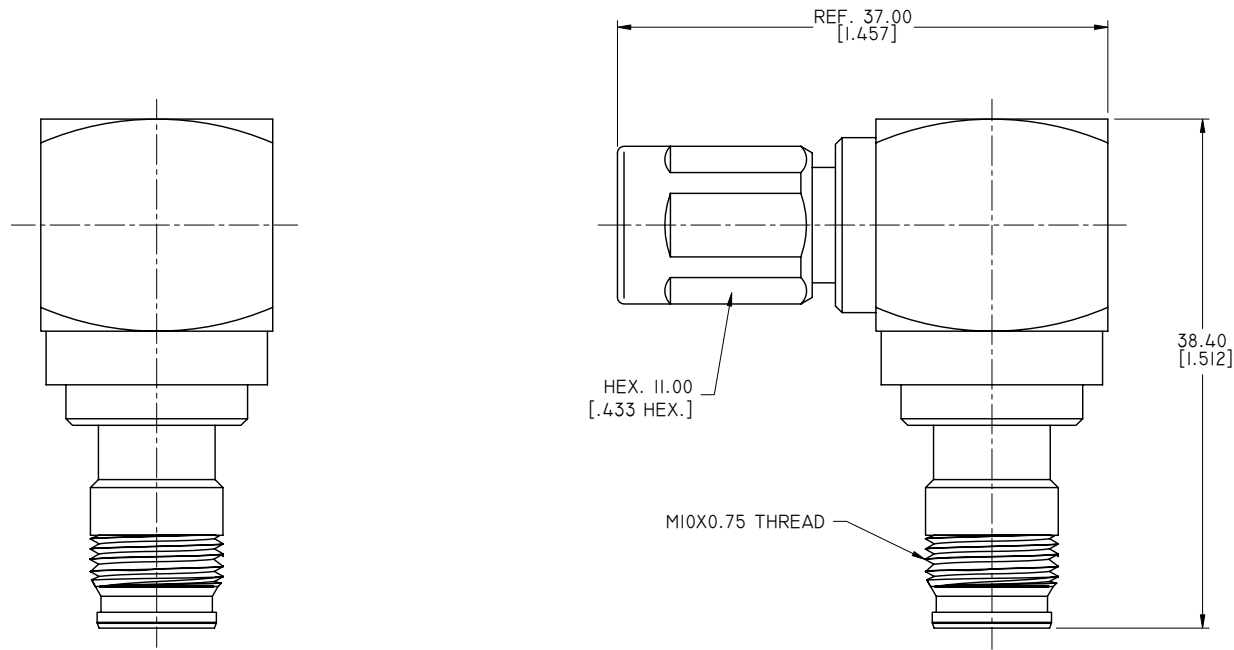
ELECTRICAL DATA:

- 1 IMPEDANCE: 50 OHMS
- 2 FREQUENCY RANGE: DC~10 GHZ
- 3 VSWR: 1.25 MAX. AT DC~6 GHZ
1.35 MAX. AT 6 GHZ~10 GHZ
- 4 INSERTION LOSS: ≤ 0.08 x √F(GHZ) DB

APPLICABLE STANDARDS:

- 1 NEX10 INTERFACE ACCORDING TO: TBD

REVISIONS			
REV.	DESCRIPTION	DATE	APPROVED
A	INITIAL RELEASE	11/06/19	J. QU



DRAWN	X. B. YANG	DATE	11/06/19
CHECKED	W. YANG	DATE	11/06/19
APPROVED	J. QU	DATE	11/06/19
UNLESS OTHERWISE SPECIFIED DIMENSIONS ARE IN MILLIMETERS, DIMENSIONS IN [] ARE IN INCHES FOR CUSTOMER REFERENCE ONLY UNLESS OTHERWISE SPECIFIED TOLERANCE ARE:		THESE DRAWINGS AND SPECIFICATIONS ARE THE PROPERTY OF ANOISON ELECTRONICS LTD AND SHOULD NOT BE USED WITHOUT WRITTEN PERMISSION COPYRIGHT © 2019 ANOISON ELECTRONICS LTD	
.XX	±0.08 [0.03"]		
.X	±0.20 [0.08"]		
X	±0.50 [0.19"]		
.X°	±1°		
X°	±2°		



TITLE			
ADAPTER, RIGHT ANGLE, M10(NEX10) MALE TO M10(NEX10) FEMALE			
VIEW		PART NO.	
		ANO 741-742-2517	
SIZE	SCALE	SHEET	REV.
A3	2.5:1	1/1	A

4

3

2

1