

4

3

2

1

MATERIAL & FINISH

- 1 BODY: BRASS, ALBALOY PLATED
- 2 OUTER CONTACT: PHOSPHOR BRONZE, SILVER PLATED
- 3 CENTER CONTACT: PHOSPHOR BRONZE, SILVER PLATED
- 4 INSULATOR: PTFE
- 5 COUPLING NUT: BRASS, ALBALOY PLATED
- 6 GASKET: SILICONE

ELECTRICAL DATA:

- 1 IMPEDANCE: 50 OHMS
- 2 FREQUENCY RANGE: DC~18 GHZ
- 3 VSWR: 1.35 MAX.
- 4 PIM3: < -155 DBC(2X43 DBM) AT 0.4~4 GHZ

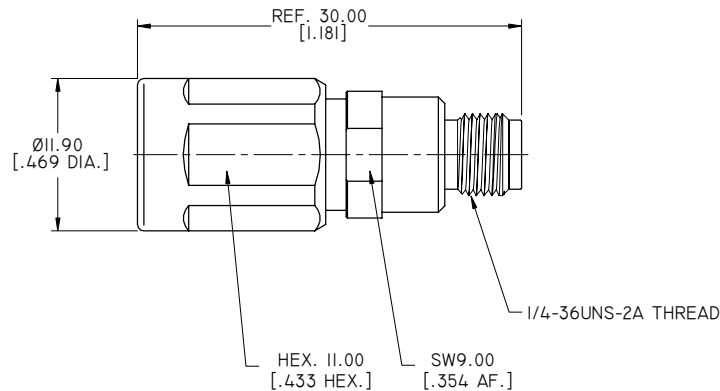
ENVIRONMENTAL DATA:

- 1 TEMPERATURE RANGE: -55°C~+125°C
- 2 2011/65/EU(RoHS) AND 2015/863/(RoHS): COMPLIANT
- 3 1999/45/EC(REACH): COMPLIANT

MECHANICAL DATA:

- 1 MATING CYCLES: ≥100
- 2 RECOMMENDED TORQUE: 1.5 NM (M10(NEX10) SIDE)

REVISIONS			
REV.	DESCRIPTION	DATE	APPROVED
A	INITIAL RELEASE	11/20/19	J. QU
B	INITIAL RELEASE	12/14/23	J. QU



DRAWN	W. YANG	DATE	12/14/23
CHECKED	X. B. YANG	DATE	12/14/23
APPROVED	J. QU	DATE	12/14/23
UNLESS OTHERWISE SPECIFIED DIMENSIONS ARE IN MILLINETERS, DIMENSIONS IN [] ARE IN INCHES FOR CUSTOMER REFERENCE ONLY UNLESS OTHERWISE SPECIFIED TOLERANCE ARE:		THESE DRAWINGS AND SPECIFICATIONS ARE THE PROPERTY OF ANOISON ELECTRONICS LTD AND SHOULD NOT BE USED WITHOUT WRITTEN PERMISSION COPYRIGHT © 2019 ANOISON ELECTRONICS LTD	
.XX	±0.08 [.003"]		
.X	±0.20 [.008"]		
X	±0.50 [.019"]		
.X°	±1°		
X°	±2°		



TITLE			
ADAPTER, M10(NEX10) MALE TO SMA FEMALE			
VIEW	PART NO.		
	ANO 741-212-1518		
SIZE	SCALE	SHEET	REV.
A3	2.5:1	1/1	B

4

3

2

1