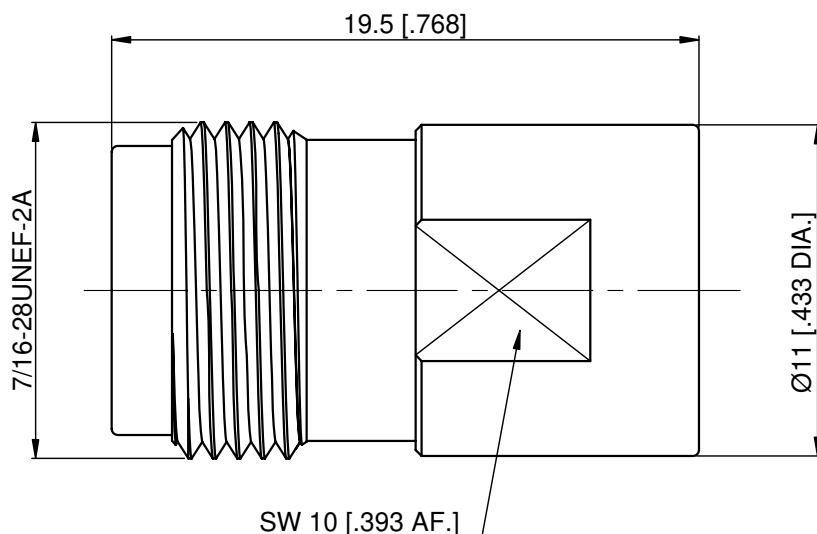


DESCRIPTION	MATERIAL	FINISH
Center Contact	Phosphor Bronze	Gold
Body	Brass	Nickel
Insulator	PTFE	———
Resistance	Beryllium Oxide	———

Technical Data

1. Impedance: 50 Ohms
2. Frequency Range: DC to 18GHz
3. VSWR: 1.20 Max. at DC to 6GHz  
1.30 Max. at 6 to 18GHz
4. Operating Temp. : -55°C to +125°C
5. Average Power: 2 Watts
6. Peak Power: 500 Watts



NOTES:

1. ALL SPECIFICATIONS ARE SUBJECT TO CHANGE WITHOUT NOTICE AT ANY TIME
2. CUSTOMER OUTLINE DRAWING FOR REFERENCE ONLY
3. THIS PRODUCT CONTAINS BERYLLIA CERAMIC INSIDE, WHICH IS POTENTIALLY HARMFUL TO THE ENVIRONMENT. DISPOSE OF CORRECTLY

VSWR Changed	———	07/17/13	B	Drawn: H. Zhang 07/17/13
Release to Mfg.	———	07/05/12	A	Checked: L. Yang 07/17/13
Description	Ecn.No	Date	Rev	Approved: J. Qu 07/17/13

Title:

**Coaxial Termination  
TNCA Female, 2Watts, DC~18GHz**



Unless otherwise specified dimensions are in millimeters, dimensions in [ ] are in inches for customer reference only.

Unless Otherwise Specified tolerance are:

.XX	±0.13 [.005"]
.X	±0.20 [.008"]
X	±0.50 [.019"]
.X°	±1°
X°	±2°

View:



Part No:

**ANO 730-203**

Size: A4	Scale: 4:1	Sheet: 1/1	Rev: B
-------------	---------------	---------------	-----------