

MATERIAL & FINISH:

- 1 BODY: BRASS, ALBALOY PLATED
- 2 CENTER CONTACT: PHOSPHOR BRONZE, GOLD PLATED
- 3 INSULATOR: PTFE
- 4 COUPLING NUT: BRASS, ALBALOY PLATED
- 5 RESISTANCE: BERYLLIUM OXIDE
- 6 GASKET: SILICONE RUBBER

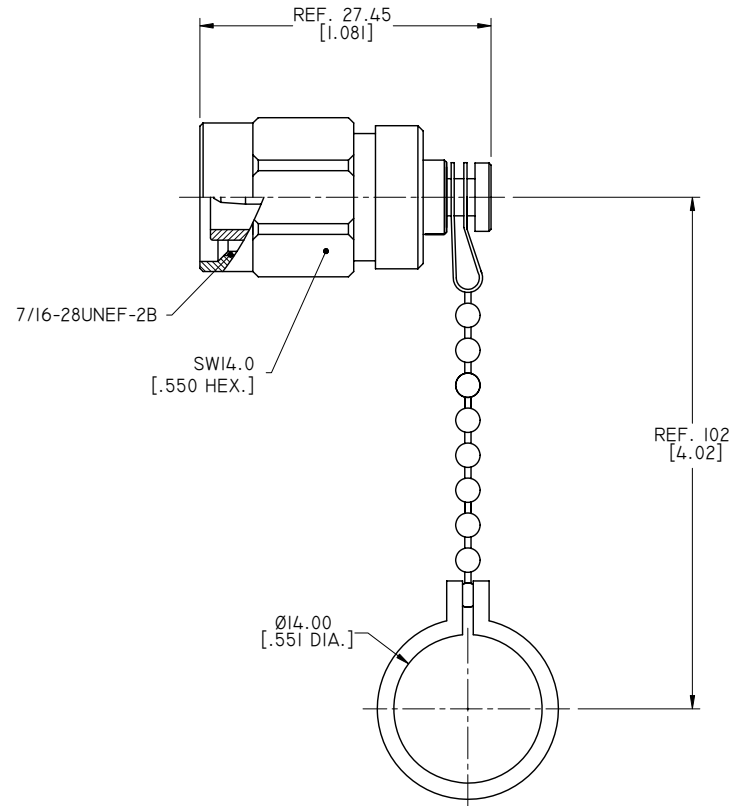
ENVIRONMENTAL DATA:

- 1 TEMPERATURE RANGE: -55°C~+125°C
- 2 2011/65/EU (RoHS): COMPLIANT

ELECTRICAL DATA:

- 1 IMPEDANCE: 50 Ω
- 2 FREQUENCY RANGE: DC~18 GHZ
- 3 VSWR: 1.20 MAX. AT DC~6 GHZ  
1.30 MAX. AT 6~12.4 GHZ  
1.35 MAX. AT 12.4~18 GHZ
- 4 AVERAGE POWER: 2 WATTS TO 25°C AMBIENT TEMPERATRUE, DERATED LINEARLY TO 0.2W @ 125°C
- 5 PEAK POWER: 250 WATTS (5μS PLUSE WIDTH WITH 0.8% DUTY CYCLE)

REVISIONS			
REV.	DESCRIPTION	DATE	APPROVED
A	INITIAL RELEASE	11/11/11	J. QU
B	OUTLINE DRAWING CHANGED	01/19/16	J. QU



NOTES:

- 1 ALL SPECIFICATIONS ARE SUBJECT TO CHANGE WITHOUT NOTICE AT ANY TIME.
- 2 CUSTOMER OUTLINE DRAWING FOR REFERENCE ONLY.
- 3 THIS PRODUCT CONTAINS BERYLLIA CERAMIC INSIDE, WHICH IS POTENTIALLY HARMFUL TO THE ENVIRONMENT. DISPOSE OF CORRECTLY.

DRAWN	X. B. YANG	DATE	01/19/16
CHECKED	L. YANG	DATE	01/19/16
APPROVED	J. QU	DATE	01/19/16
UNLESS OTHERWISE SPECIFIED DIMENSIONS ARE IN MILLIMETERS. DIMENSIONS IN [ ] ARE IN INCHES FOR CUSTOMER REFERENCE ONLY UNLESS OTHERWISE SPECIFIED TOLERANCE ARE:		THESE DRAWINGS AND SPECIFICATIONS ARE THE PROPERTY OF ANOISON ELECTRONICS LTD AND SHOULD NOT BE USED WITHOUT WRITTEN PERMISSION COPYRIGHT © 2016 ANOISON ELECTRONICS LTD	
.XX	±0.13 [.005"]		
.X	±0.20 [.008"]		
X	±0.50 [.019"]		
.X°	±1°		
X°	±2°		



TITLE			
COAXIAL TERMINATION, TNCA MALE 2 WATTS WITH CHAIN, DC-18GHZ			
VIEW		PART NO.	
		ANO 730-105	
SIZE	SCALE	SHEET	REV.
A3	2:1	1/1	B