

4

3

2

1

MATERIAL & FINISH

- 1 BODY: STAINLESS STEEL, PASSIVATED
- 2 CENTER CONTACT: BERYLLIUM COPPER ALLOY, GOLD PLATED
- 3 COUPLING NUT: STAINLESS STEEL, PASSIVATED
- 4 INSULATOR: PEI
- 5 RADIATOR: ALUMINIUM, BLACK

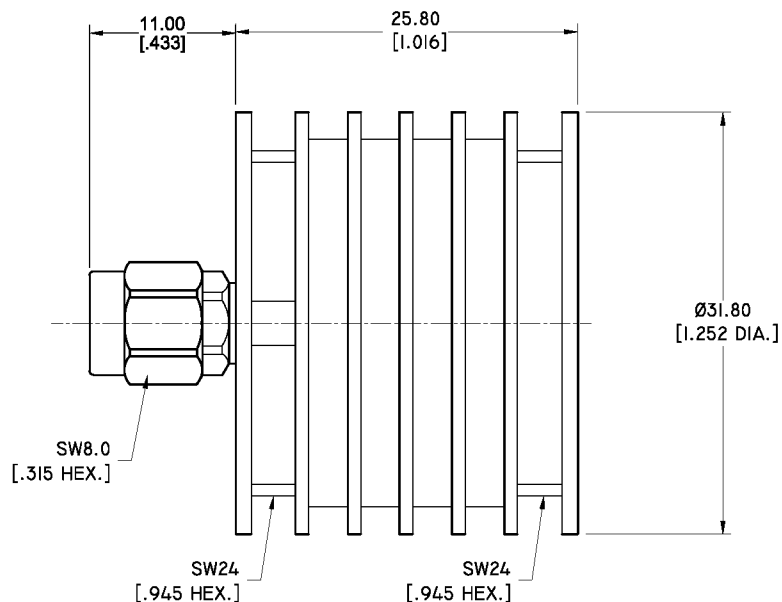
ELECTRICAL DATA:

- 1 IMPEDANCE: 50 OHMS
- 2 FREQUENCY RANGE: DC~40 GHZ
- 3 VSWR: 1.25 MAX.
- 4 AVERAGE POWER: 15 WATTS AVERAGE TO 25°C AMBIENT TEMPERATURE, DERATED LINEARLY TO 1.5W @ 125°C
- 5 PEAK POWER: 200 W (5μS PULSE WIDTH WITH THE MAXIMUM 5% DUTY CYCLE)

ENVIRONMENTAL DATA:

- 1 TEMPERATURE RANGE: -55°C~+125°C
- 2 2011/65/EU(RoHS) AND 2015/863/(RoHS): COMPLIANT
- 3 1907/2006/EC(REACH) AND 1999/45/EC(REACH): COMPLIANT

REVISIONS			
REV.	DESCRIPTION	DATE	APPROVED
A	INITIAL RELEASE	08/20/19	J. QU



**NOTES:**

- 1 ALL SPECIFICATIONS ARE SUBJECT TO CHANGE WITHOUT NOTICE AT ANY TIME.
- 2 CUSTOMER OUTLINE DRAWING FOR REFERENCE ONLY.

DRAWN	W. YANG	DATE	08/20/19
CHECKED	X. B. YANG	DATE	08/20/19
APPROVED	J. QU	DATE	08/20/19
UNLESS OTHERWISE SPECIFIED DIMENSIONS ARE IN MILLIMETERS, DIMENSIONS IN [] ARE IN INCHES FOR CUSTOMER REFERENCE ONLY UNLESS OTHERWISE SPECIFIED TOLERANCE ARE:		THESE DRAWINGS AND SPECIFICATIONS ARE THE PROPERTY OF ANOISON ELECTRONICS LTD AND SHOULD NOT BE USED WITHOUT WRITTEN PERMISSION COPYRIGHT © 2019 ANOISON ELECTRONICS LTD	
.XX	±0.13 [.005"]		
.X	±0.20 [.008"]		
X	±0.50 [.019"]		
.X°	±1°		
X°	±2°		



TITLE
COAXIAL TERMINATION
2.92 MM MALE, 15 WATTS, DC~40GHZ

VIEW	PART NO. ANO 729-110		
 	SIZE A3	SCALE 2.5:1	SHEET 1/1
		REV. A	

4

3

2

1