

MATERIAL & FINISH

- 1 BODY: STAINLESS STEEL, PASSIVATED
- 2 CENTER CONTACT: BERYLLIUM COPPER ALLOY, GOLD PLATED
- 3 COUPLING NUT: STAINLESS STEEL, PASSIVATED
- 4 INSULATOR: PEI
- 5 RADIATOR: ALUMINIUM, BLACK

ELECTRICAL DATA:

- 1 IMPEDANCE: 50 OHMS
- 2 FREQUENCY RANGE: DC~40 GHz
- 3 VSWR: 1.26 MAX
- 4 AVERAGE POWER: 10 W AVERAGE TO 25°C AMBIENT TEMPERATRU, DERATED LINEARLY TO 1 W @ 100°C
- 5 PEAK POWER: 200 W (5μS PLUSE WIDTH WITH 3% DUTY CYCLE)

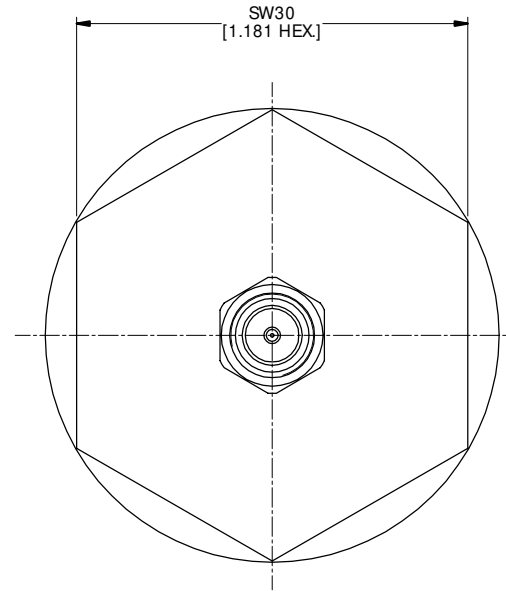
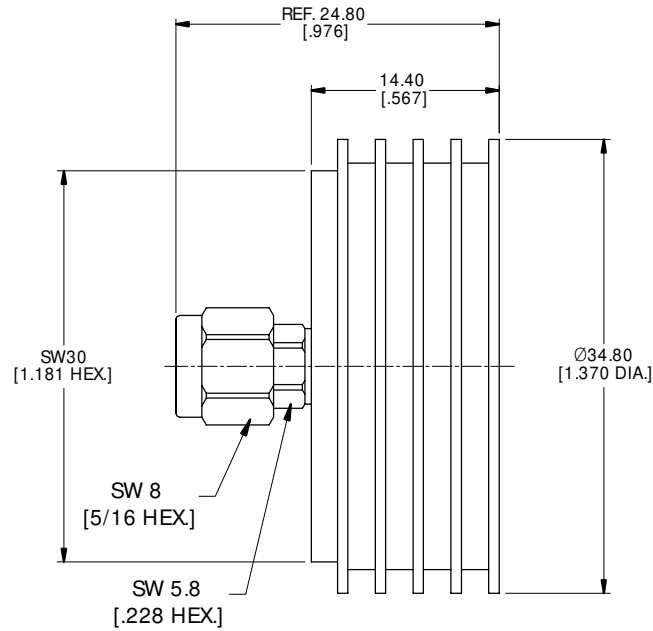
ENVIRONMENTAL DATA:

- 1 OPERATING TEMPERATURE RANGE: -55°C~+100°C
- 2 STORAGE TEMPERATURE RANGE: -55°C~+125°C
- 3 2011/65/EU (RoHS) AND 2015/863/(RoHS): COMPLIANT
- 4 1999/45/EC(REACH): COMPLIANT

MECHANICAL DATA:

- 1 NET WEIGHT: 35 g

REVISIONS			
REV.	DESCRIPTION	DATE	APPROVED
A	INITIAL RELEASE	08/20/19	J Q
B	OUTLINE DRAWING CHANGED	10/10/20	J Q



DRAWN	X. Y	DATE	10/10/20
CHECKED	W. Y	DATE	10/10/20
APPROVED	J Q	DATE	10/10/20

UNLESS OTHERWISE SPECIFIED DIMENSIONS ARE IN MILLIMETERS. DIMENSIONS IN [] ARE IN INCHES FOR CUSTOMER REFERENCE ONLY UNLESS OTHERWISE SPECIFIED TOLERANCE ARE:

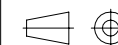
.xx	±0.13 [.005"]
.x	±0.20 [.008"]
X	±0.50 [.019"]
.x°	±1°
x°	±2°

THESE DRAWINGS AND SPECIFICATIONS ARE THE PROPERTY OF ANOISON ELECTRONICS LTD AND SHOULD NOT BE USED WITHOUT WRITTEN PERMISSION COPYRIGHT © 2020 ANOISON ELECTRONICS LTD



TITLE
COAXIAL TERMINATION
2.92 MM MALE, 10 WATTS, DC~40GHZ

VIEW



PART NO.

ANO 729-108

SIZE
A3

SCALE
5:1

SHEET
1/1

REV.
B