

MATERIAL & FINISH:

- 1 BODY: BRASS, ALBALOY PLATED
- 2 CENTER CONTACT: BERYLLIUM COPPER ALLOY, GOLD PLATED
- 3 INSULATOR: PTFE
- 4 RESISTANCE: ALUMINIUM OXIDE

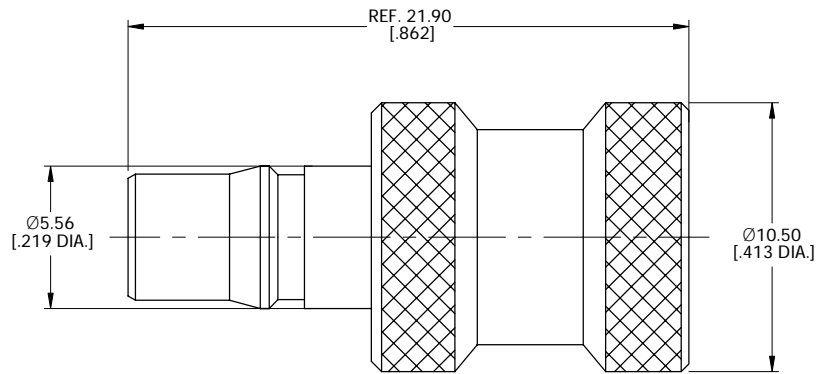
ENVIRONMENTAL DATA:

- 1 TEMPERATURE RANGE: -55°C ~ +125°C
- 2 2011/65/EU(RoHS) AND 2015/863/(RoHS): COMPLIANT
- 3 1907/2006/EC(REACH): COMPLIANT

ELECTRICAL DATA:

- 1 IMPEDANCE: 50 Ω
- 2 FREQUENCY RANGE: DC-6 GHz
- 3 VSWR: 1.15 MAX. AT DC-3 GHz
1.20 MAX. AT 3-6 GHz
- 4 AVERAGE POWER: 0.5 WATTS AVERAGE TO 25 °C AMBIENT TEMPERATRUE
DERATED LINEARLY TO 0.05 W @ 125 °C
- 5 PEAK POWER: 50 W (5μS PLUSE WIDTH WITH 1% DUTY CYCLE)

REVISIONS			
REV.	DESCRIPTION	DATE	APPROVED
A	INITIAL RELEASE	01/14/13	J. Q
B	CENTER CONTACT FINISH CHANGED TO GOLD	03/15/13	J. Q
C	DRAWING FORMAT CHANGED	05/08/23	J. Q



DRAWN X. Y	DATE 05/08/23	
CHECKED W. Y	DATE 05/08/23	
APPROVED J. Q	DATE 05/08/23	
<small>UNLESS OTHERWISE SPECIFIED DIMENSIONS ARE IN MILLIMETERS. DIMENSIONS IN [] ARE IN INCHES FOR CUSTOMER REFERENCE ONLY UNLESS OTHERWISE SPECIFIED TOLERANCE ARE:</small>		<small>THESE DRAWINGS AND SPECIFICATIONS ARE THE PROPERTY OF ANOISON ELECTRONICS LTD AND SHOULD NOT BE USED WITHOUT WRITTEN PERMISSION COPYRIGHT © 2023 ANOISON ELECTRONICS LTD</small>
<small>XX ±0.13 [.005"] X ±0.20 [.008"] X ±0.50 [.019"] X° ±1° X° ±2°</small>		TITLE COAXIAL TERMINATION QMA FEMALE, 0.5 WATTS, DC-6GHZ
<small>VIEW</small> 		PART NO. ANO 726-207
SIZE A3	SCALE 5:1	SHEET 1/1 REV. C