

4

3

2

1

REVISIONS			
REV.	DESCRIPTION	DATE	APPROVED
A	INITIAL RELEASE	02/19/20	J. QU

**MATERIAL & FINISH**

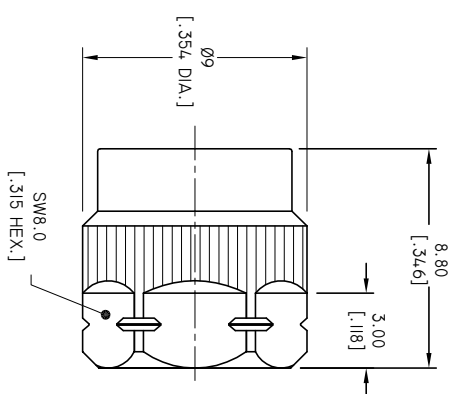
- 1 BODY: STAINLESS STEEL, PASSIVATED
- 2 CENTER CONTACT: BERYLLIUM COPPER ALLOY, GOLD PLATED
- 3 COUPLING NUT: STAINLESS STEEL, PASSIVATED
- 4 INSULATOR: PEI

**ENVIRONMENTAL DATA:**

- 1 OPERATING TEMPERATURE RANGE: -55 °C~+100 °C
- 2 STORAGE TEMPERATURE RANGE: -55 °C~+25 °C
- 3 2011/65/EU(RoHS) AND 2015/863/(RoHS): COMPLIANT
- 4 1999/45/EC(REACH): COMPLIANT

**ELECTRICAL DATA:**

- 1 IMPEDANCE: 50 OHMS
- 2 FREQUENCY RANGE: DC-50 GHz
- 3 VSWR: SEE TABLE
- 4 AVERAGE POWER: 2 WATTS AVERAGE TO 25°C AMBIENT TEMPERATURE. DERATED LINEARLY TO 0.1 W @ 125°C
- 5 PEAK POWER: 0.1 KW (5µs PULSE WIDTH WITH 2% DUTY CYCLE)



PART NO.	NOMINAL VSWR	ACCURACY(GHZ)	
		DC-18	18-50
ANO 722A-1.20	1.20		
ANO 722A-1.50	1.50	±7.5%	±12.5%
ANO 722A-2.00	2.00		

- NOTES:
- 1 ALL SPECIFICATIONS ARE SUBJECT TO CHANGE WITHOUT NOTICE AT ANY TIME.
  - 2 CUSTOMER OUTLINE DRAWING FOR REFERENCE ONLY.
  - 3 THIS PRODUCT CONTAINS BERYLLIA CERAMIC INSIDE, WHICH IS POTENTIALLY HARMFUL TO THE ENVIRONMENT. DISPOSE OF CORRECTLY.

DRAWN	P. CHEN	DATE	02/19/20
CHECKED	L. YANG	DATE	02/19/20
APPROVED	J. QU	DATE	02/19/20

UNLESS OTHERWISE SPECIFIED DIMENSIONS ARE IN MILLIMETERS. DIMENSIONS IN ( ) ARE IN INCHES FOR CUSTOMER REFERENCE ONLY UNLESS OTHERWISE SPECIFIED TOLERANCE ARE:

.XX	±0.13 [.005"]
X	±0.20 [.008"]
XX	±0.50 [.019"]
X"	±.01
X"	±.02

**ANISOISON**  
...we create connectors for technologies

TITLE  
PRECISION STANDARD MISMATCHES  
COAXIAL TERMINATION 2.4MM MALE, 2 WATTS,  
DC~50GHZ

VIEW  
PART NO. ANO 722A-X  
SIZE A3 SCALE S11 SHEET 1/1 REV. A

4

3

2

1