

| REVISIONS | | | |
|-----------|-----------------|----------|----------|
| REV. | DESCRIPTION | DATE | APPROVED |
| A | INITIAL RELEASE | 11/18/21 | J. QU |

MATERIAL & FINISH:

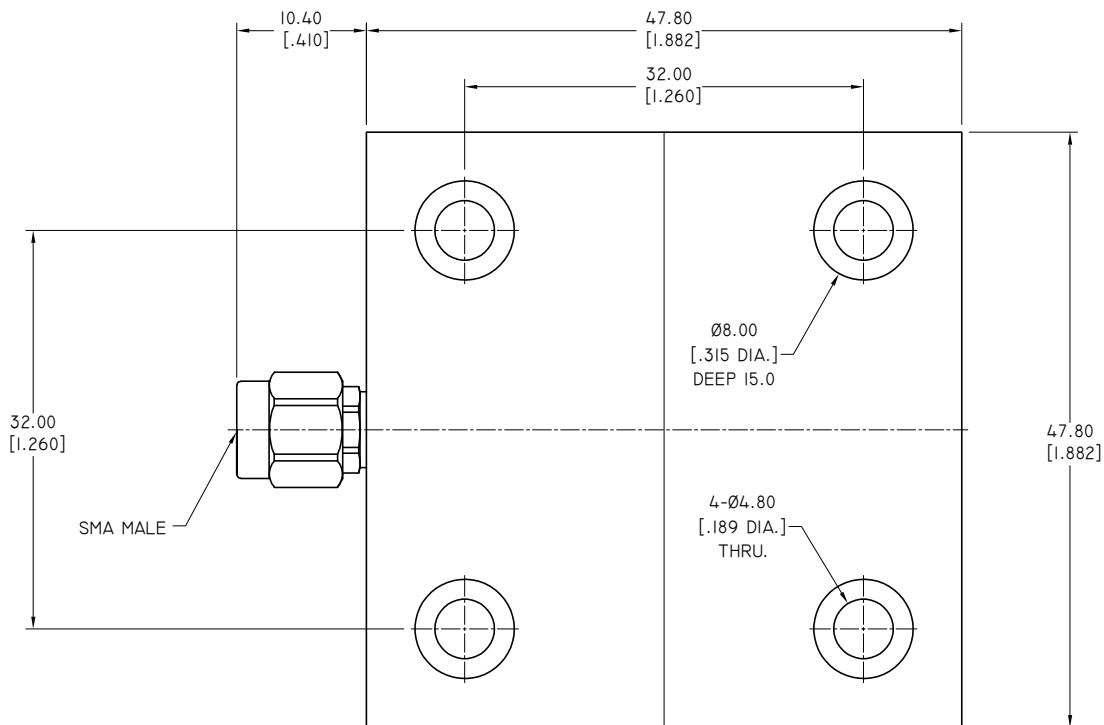
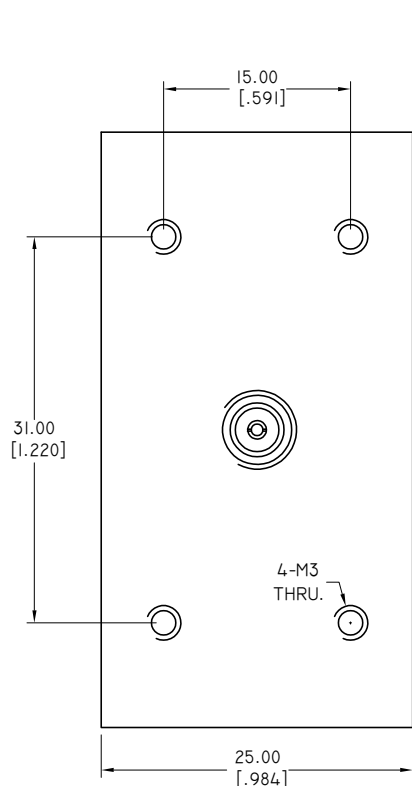
- 1 BODY: STAINLESS STEEL, PASSIVATED
- 2 CENTER CONTACT: BRASS, GOLD PLATED
- 3 INSULATOR: PEI
- 4 COUPLING NUT: STAINLESS STEEL, PASSIVATED
- 5 RADIATOR: ALUMINIUM, BLACK

ENVIRONMENTAL DATA:

- 1 TEMPERATURE RANGE: -55°C~+125°C
- 2 2011/65/EU(RoHS) AND 2015/863/(RoHS): COMPLIANT
- 3 1907/2006/EC(REACH) AND 1999/45/EC(REACH): COMPLIANT

ELECTRICAL DATA:

- 1 IMPEDANCE: 50 Ω
- 2 FREQUENCY RANGE: DC~18 GHz
- 3 VSWR: 1.30 MAX.
- 4 AVERAGE POWER: MAXIMUM POWER 50 WATTS AVERAGE TO 25°C AMBIENT TEMPERATURE, DERATED LINEARLY TO 5W @ 125°C
- 5 PEAK POWER: MAXIMUM POWER 1000 W (5μs PULSE WIDTH WITH THE MAXIMUM 5% DUTY CYCLE)
- 6 WORKING TIME: NO AIR COOLING, ≤5 MINUTES, COOLING TO BELOW 30°C CAN BE USED AGAIN; WHEN THERE IS AIR COOLING, AIR VOLUME ≥30CFM, LONG-TERM WORK



| | | | |
|-----------------------------------------------------------------------------------------------------------------------------------------------------------------|---------------|--------------------------------------------------------------------------------------------------------------------------------------------------------------------------|----------|
| DRAWN | W. YANG | DATE | 11/18/21 |
| CHECKED | L. YANG | DATE | 11/18/21 |
| APPROVED | J. QU | DATE | 11/18/21 |
| UNLESS OTHERWISE SPECIFIED DIMENSIONS ARE IN MILLIMETERS, DIMENSIONS IN [] ARE IN INCHES FOR CUSTOMER REFERENCE ONLY UNLESS OTHERWISE SPECIFIED TOLERANCE ARE: | | THESE DRAWINGS AND SPECIFICATIONS ARE THE PROPERTY OF ANOISON ELECTRONICS LTD AND SHOULD NOT BE USED WITHOUT WRITTEN PERMISSION COPYRIGHT © 2021 ANOISON ELECTRONICS LTD | |
| .XX | ±0.13 [.005"] | | |
| .X | ±0.25 [.010"] | | |
| X | ±0.50 [.019"] | | |
| .X° | ±1° | | |
| X° | ±2° | | |



| | | | |
|-----------------------------------------------------|-------------|-------|------|
| TITLE | | | |
| COAXIAL TERMINATION SMA MALE, 50 WATTS, DC~18GHZ | | | |
| VIEW | PART NO. | | |
| | ANO 721-138 | | |
| SIZE | SCALE | SHEET | REV. |
| A3 | 2.5:1 | 1/1 | A |