

MATERIAL & FINISH

- 1 BODY: STAINLESS STEEL, PASSIVATED
- 2 CENTER CONTACT: BERYLLIUM COPPER ALLOY, GOLD PLATED
- 3 COUPLING NUT: STAINLESS STEEL, PASSIVATED
- 4 INSULATOR: PTFE
- 5 RADIATOR: ALUMINIUM, BLACK

ELECTRICAL DATA:

- 1 IMPEDANCE: 50 OHMS
- 2 FREQUENCY RANGE: DC~27 GHz
- 3 VSWR: 1.20 MAX.
- 4 AVERAGE POWER: 10 W AVERAGE TO 25°C AMBIENT TEMPERATURE, DERATED LINEARLY TO 1 W @ 100°C
- 5 PEAK POWER: 200 W (5μS PULSE WIDTH WITH 3% DUTY CYCLE)

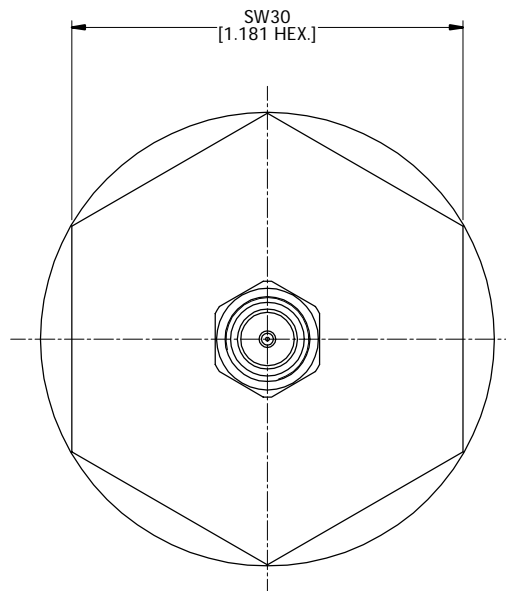
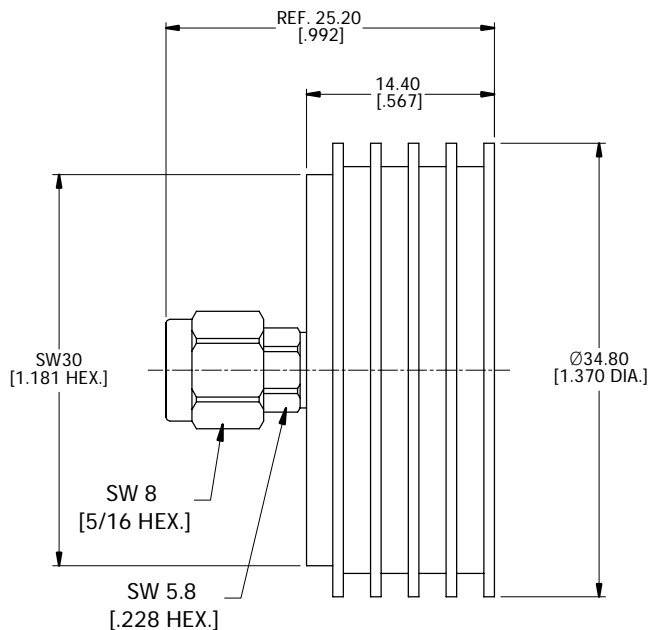
ENVIRONMENTAL DATA:

- 1 OPERATING TEMPERATURE RANGE: -55°C~+100°C
- 2 STORAGE TEMPERATURE RANGE: -55°C~+125°C
- 3 2011/65/EU(RoHS) AND 2015/863/(RoHS): COMPLIANT
- 4 1999/45/EC(REACH): COMPLIANT

MECHANICAL DATA:

- 1 NET WEIGHT: 35 g

REVISIONS			
REV.	DESCRIPTION	DATE	APPROVED
A	INITIAL RELEASE	10/10/20	J. QU



DRAWN	X. B. YANG	DATE	10/10/20
CHECKED	W. YANG	DATE	10/10/20
APPROVED	J. QU	DATE	10/10/20

UNLESS OTHERWISE SPECIFIED DIMENSIONS ARE IN MILLIMETERS. DIMENSIONS IN [] ARE IN INCHES FOR CUSTOMER REFERENCE ONLY UNLESS OTHERWISE SPECIFIED TOLERANCE ARE:

.xx	±0.13 [0.005"]
.x	±0.20 [0.008"]
x	±0.50 [0.019"]
.x°	±1°
x°	±2°

THESE DRAWINGS AND SPECIFICATIONS ARE THE PROPERTY OF ANOISON ELECTRONICS LTD AND SHOULD NOT BE USED WITHOUT WRITTEN PERMISSION COPYRIGHT © 2020 ANOISON ELECTRONICS LTD



TITLE	COAXIAL TERMINATION SMA MALE, 10 WATTS, DC~27GHZ		
PART NO.	ANO 721-134		

VIEW			
SIZE	A3	SCALE	5:1
SHEET	1/1	REV.	A