

4

3

2

1

REVISIONS			
REV.	DESCRIPTION	DATE	APPROVED
A	INITIAL RELEASE	08/24/18	J. QU

MATERIAL & FINISH

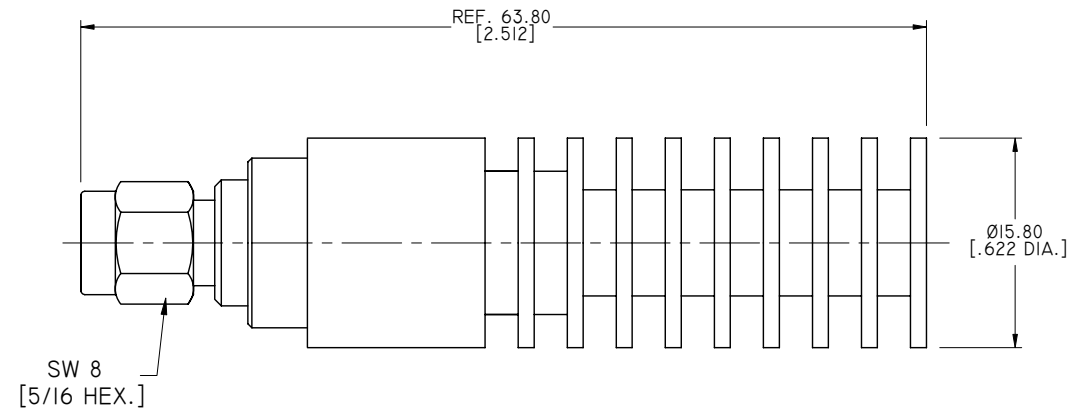
- 1 BODY: BRASS, ALBALOY PLATED
- 2 CENTER CONTACT: PHOSPHOR BRONZE, GOLD PLATED
- 3 COUPLING NUT: STAINLESS STEEL, PASSIVATED
- 4 INSULATOR: PTFE
- 5 RESISTANCE: BERYLLIUM OXIDE
- 6 RADIATOR: ALUMINIUM, INTRINSIC OXIDATION
- 7 GASKTE: SILICONE RUBBER

ELECTRICAL DATA:

- 1 IMPEDANCE: 50 OHMS
- 2 FREQUENCY RANGE: DC~18 GHZ
- 3 VSWR: 1.15 MAX. AT DC~6 GHZ
1.45 MAX. AT 14~18 GHZ
- 4 AVERAGE POWER: 10 WATT AVERAGE TO 25°C AMBIENT TEMPRATURE, DERATED LINEARLY TO 1 W @ 125°C
- 5 PEAK POWER: 500 W (5μS PULSE WIDTH WITH 2% DUTY CYCLE)

ENVIRONMENTAL DATA:

- 1 OPERATING TEMPERATURE RANGE: -55°C~+125°C
- 2 STORAGE TEMPERATURE RANGE: -55°C~+125°C
- 3 2011/65/EU(RoHS) AND 2015/863/(RoHS): COMPLIANT
- 4 1999/45/EC(REACH): COMPLIANT



DRAWN	X. B. YANG	DATE	08/24/18
CHECKED	P. CHEN	DATE	08/24/18
APPROVED	J. QU	DATE	08/24/18
UNLESS OTHERWISE SPECIFIED DIMENSIONS ARE IN MILLIMETERS, DIMENSIONS IN [] ARE IN INCHES FOR CUSTOMER REFERENCE ONLY UNLESS OTHERWISE SPECIFIED TOLERANCE ARE:		THESE DRAWINGS AND SPECIFICATIONS ARE THE PROPERTY OF ANOISON ELECTRONICS LTD AND SHOULD NOT BE USED WITHOUT WRITTEN PERMISSION COPYRIGHT © 2018 ANOISON ELECTRONICS LTD	
.XX	±0.13 [.005"]		
.X	±0.20 [.008"]		
X	±0.50 [.019"]		
.X°	±1°		
X°	±2°		



TITLE			
COAXIAL TERMINATION SMA MALE, 10 WATTS, DC~18GHZ			
VIEW		PART NO.	
		ANO 721-I20	
SIZE	SCALE	SHEET	REV.
A3	2.5:1	1/1	A

4

3

2

1