

MATERIAL & FINISH:

- 1 BODY: BRASS, NICKEL PLATED
- 2 CENTER CONTACT: BRASS, GOLD PLATED
- 3 CRIMP FERRULE: COPPER, NICKEL PLATED
- 4 COUPLING NUT: BRASS, NICKEL PLATED
- 5 INSULATOR: PTFE

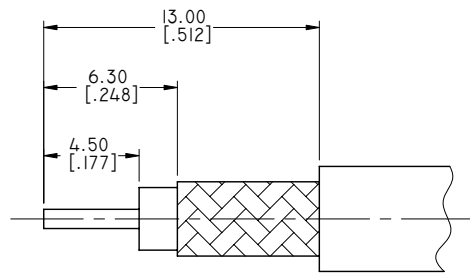
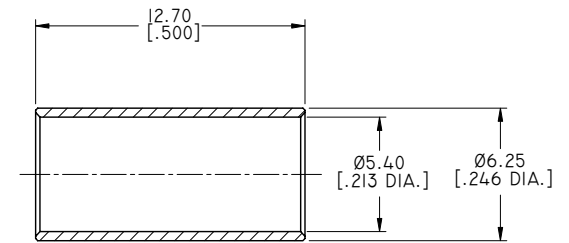
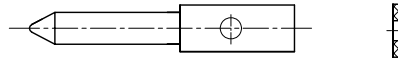
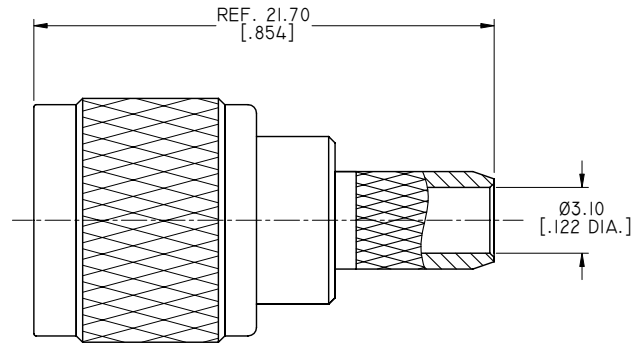
ELECTRICAL DATA:

- 1 IMPEDANCE: 75 Ω
- 2 FREQUENCY RANGE: DC~1000 MHZ

ENVIRONMENTAL DATA:

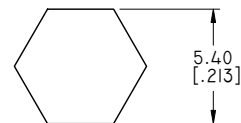
- 1 TEMPERATURE RANGE: -55°C~+125°C
- 2 2011/65/EU(RoHS) AND 2015/863/(RoHS): COMPLIANT
- 3 1907/2006/EC(REACH) AND 1999/45/EC(REACH): COMPLIANT

| REVISIONS | | | |
|-----------|-------------------------|----------|----------|
| REV. | DESCRIPTION | DATE | APPROVED |
| A | INITIAL RELEASE | 10/17/18 | J. QU |
| B | OUTLINE DRAWING CHANGED | 09/02/19 | J. QU |



CABLE STRIPPING DIMENSIONS

HEX. CRIMP TOOL



CRIMP WIDTH: 10.0 [.394]

| | | | |
|---|---------------|--|----------|
| DRAWN | X. B. YANG | DATE | 09/02/19 |
| CHECKED | W. YANG | DATE | 09/02/19 |
| APPROVED | J. QU | DATE | 09/02/19 |
| UNLESS OTHERWISE SPECIFIED DIMENSIONS ARE IN MILLIMETERS, DIMENSIONS IN [] ARE IN INCHES FOR CUSTOMER REFERENCE ONLY UNLESS OTHERWISE SPECIFIED TOLERANCE ARE: | | THESE DRAWINGS AND SPECIFICATIONS ARE THE PROPERTY OF ANOISON ELECTRONICS LTD AND SHOULD NOT BE USED WITHOUT WRITTEN PERMISSION COPYRIGHT © 2019 ANOISON ELECTRONICS LTD | |
| .XX | ±0.13 [.005"] | | |
| .X | ±0.20 [.008"] | | |
| X | ±0.50 [.019"] | | |
| .X° | ±1° | | |
| X° | ±2° | | |



| | | | |
|--|-------|---------------|------|
| TITLE | | | |
| MINI UHF STRAIGHT MALE CRIMP FOR RG58/LMR195 CABLE | | | |
| VIEW | | PART NO. | |
| | | ANO 6311-2002 | |
| SIZE | SCALE | SHEET | REV. |
| A3 | 5:1 | I/1 | B |